

SHS-3T2

Strategically Hidden Speaker Install Sheet

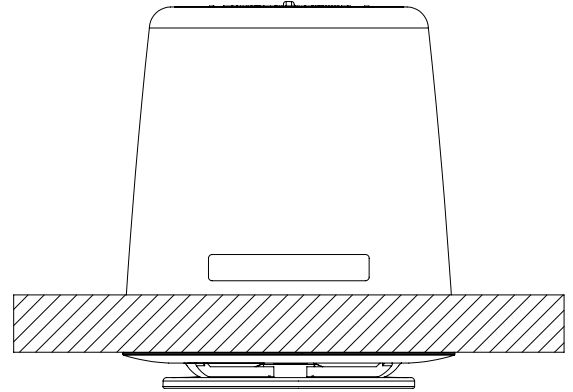
Note: Typical wiring method shall be in accordance with the applicable section of the National Electrical Code, ANSI/NFPA 70 or ANSI/NFPA 72 and CSA C22.1, Canadian Electrical Code, Part I, Safety Standard for Electrical Installations.

Recommended Cable Type: Solid/Stranded Copper AWG 18-12 (or equivalent)

Drop Tile Ceiling Installation

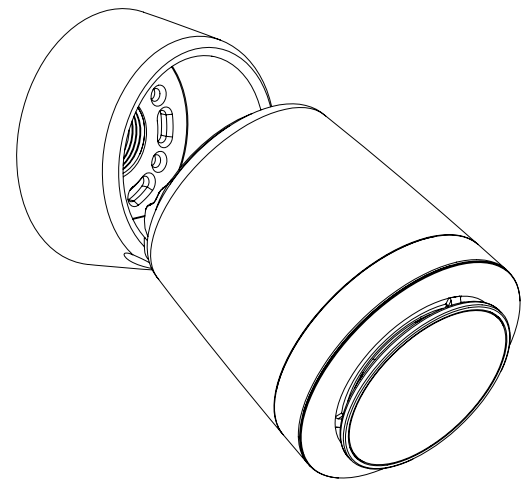
AtlasIED recommends all SHS-3T2 speaker installations in drop tile ceilings use the SHS-3T2-TB tile bridge accessory (sold separately).

1. Remove the wall mount bracket adapter ring and wall mount bracket from the SHS-3T2.
2. Remove 2' x 2' or 2' x 4' tile.
3. Set the SHS-3T2-TB tile bridge on the tile to determine the location the location where the hole for the speaker should be cutout.
4. Mark the cutout circle in the desired location, 2.75" mounting hole.
5. Using a 2.75" hole saw, drill out the hole for the sound chamber.
6. Place SHS-3T2-TB on top of the ceiling tile and the SHS-3T2 speaker on top of the tile bridge, with the sound chamber located in the newly created hole. Terminate the service loop to the Phoenix style connector provided (please note polarity) or connect the Cat5e cables to the analog in and analog out ports.
7. Adjust tap selector switch to desired wattage setting.
8. If being used with an AtlasIED Z-Series High Definition Acoustical System using Cat5e cables, ensure the correct zone selection is made. If using with a standard 70V / 100V analog amplifier and speaker wire, ensure all connected speakers are operating on Zone 1.
9. Put the ceiling tile back into the ceiling support structure.
10. Install correct diffuser onto the sound chamber based on installation requirements, 8mm, 4mm, or 4mm with perforated lens (Direct Field), by screwing the diffuser onto the sound chamber and then attaching the appropriate lens, solid or perforated.
11. For safety and seismic considerations, AtlasIED strongly suggests that the included support wire be installed by connecting the eyelet to one of the screw holes left open by removal of the wall mount bracket adapter ring and connected to a suitable anchor point above the ceiling grid.



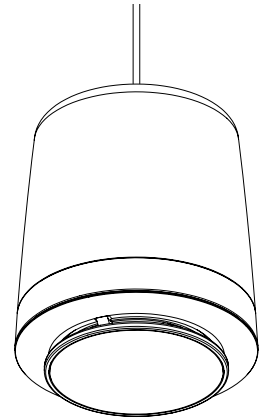
Wall Mount Installation

1. The SHS-3T2 ships ready to be wall mounted out of the box.
2. The included universal wall mount bracket incorporates multiple hole patters to facilitate installation in a variety of scenarios. **Note:** AtlasIED recommends securing the wall bracket to a stud or other load bearing structure.
3. Drill a hole in the wall large enough to fit the speaker wires or Cat5e cables that will be connected to the source unit and additional speakers.
4. Secure the wall bracket to the wall using appropriate screws near the hole cut in step 3.
5. Determine wall mount speaker angle to ensure wiring can be properly connected. **Note:** After selecting desired angle of speaker, make sure to tighten the locking screw fully to lock in place
6. Terminate the service loop to the Phoenix style connector provided (please note polarity) or connect the Cat5e cables to the analog in and analog out ports.
7. Adjust tap selector switch to desired wattage setting.
8. If being used with an AtlasIED Z-Series High Definition Acoustical System using Cat5e cables, ensure the correct zone selection is made. If using with a standard 70V / 100V analog amplifier and speaker wire, ensure all connected speakers are operating on Zone 1.
9. Attach the included spacer to the front of the SHS-3T2.
10. Install correct diffuser onto the sound chamber based on installation requirements, 8mm, 4mm, or 4mm with perforated lens (Direct Field), by screwing the diffuser onto the sound chamber and then attaching the appropriate lens, solid or perforated.



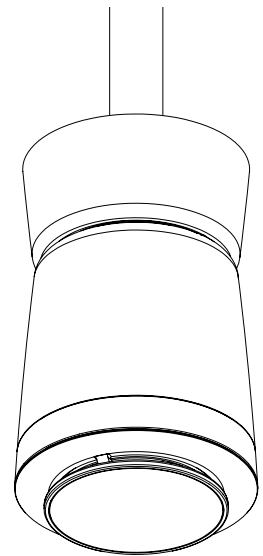
Pendant Mount Installation Using Support Wire

1. Remove the wall mount bracket adapter ring and wall mount bracket from the SHS-3T2.
2. Locate suitable support structure in the area the speaker is to be installed.
3. Route the bare end of the main support cable through the loop on the top of the speaker, then through the loop end of the wire, and pull wire through the loop.
4. Adjust the cable length so that the end of the cable is at the final height above the floor leaving enough wire at the end to tie off the cable to the mounting structure.
5. Terminate the service loop to the Phoenix style connector provided (please note polarity) or connect the Cat5e cables to the analog in and analog out ports.
6. Adjust tap selector switch to desired wattage setting.
7. If being used with an AtlasIED Z-Series High Definition Acoustical System using Cat5e cables, ensure the correct zone selection is made. If using with a standard 70V / 100V analog amplifier and speaker wire, ensure all connected speakers are operating on Zone 1.
8. Attach the included spacer to the front of the SHS-3T2.
9. Install correct diffuser onto the sound chamber based on installation requirements, 8mm, 4mm, or 4mm with perforated lens (Direct Field), by screwing the diffuser onto the sound chamber and then attaching the appropriate lens, solid or perforated.



Pendant Mount Installation Via Down Pipe (Not-Included) Using 3/4" Diameter Ceiling Fan Hardware

1. Locate suitable support structure in the area the speaker is to be installed.
2. Mount the ceiling mount canopy and down pipe per manufacturer instructions
3. Route the speaker wire or Cat5e cables through the down pipe and through the 3/4" hole on the top of the wall mount bracket so they can be terminated at the speaker.
4. Terminate the service loop to the Phoenix style connector provided (please note polarity) or connect the Cat5e cables to the analog in and analog out ports.
5. Adjust tap selector switch to desired wattage setting.
6. If being used with an AtlasIED Z-Series High Definition Acoustical System using Cat5e cables, ensure the correct zone selection is made. If using with a standard 70V / 100V analog amplifier and speaker wire, ensure all connected speakers are operating on Zone 1.
7. Return the wall mount bracket into the locking position with the wall mount bracket adapter ring. Tighten the locking screw fully to lock in place.
8. Screw the SHS-3T2 onto the threaded end of the down pipe.
9. Attach the included spacer to the front of the SHS-3T2.
10. Install correct diffuser onto the sound chamber based on installation requirements, 8mm, 4mm, or 4mm with perforated lens (Direct Field), by screwing the diffuser onto the sound chamber and then attaching the appropriate lens, solid or perforated.

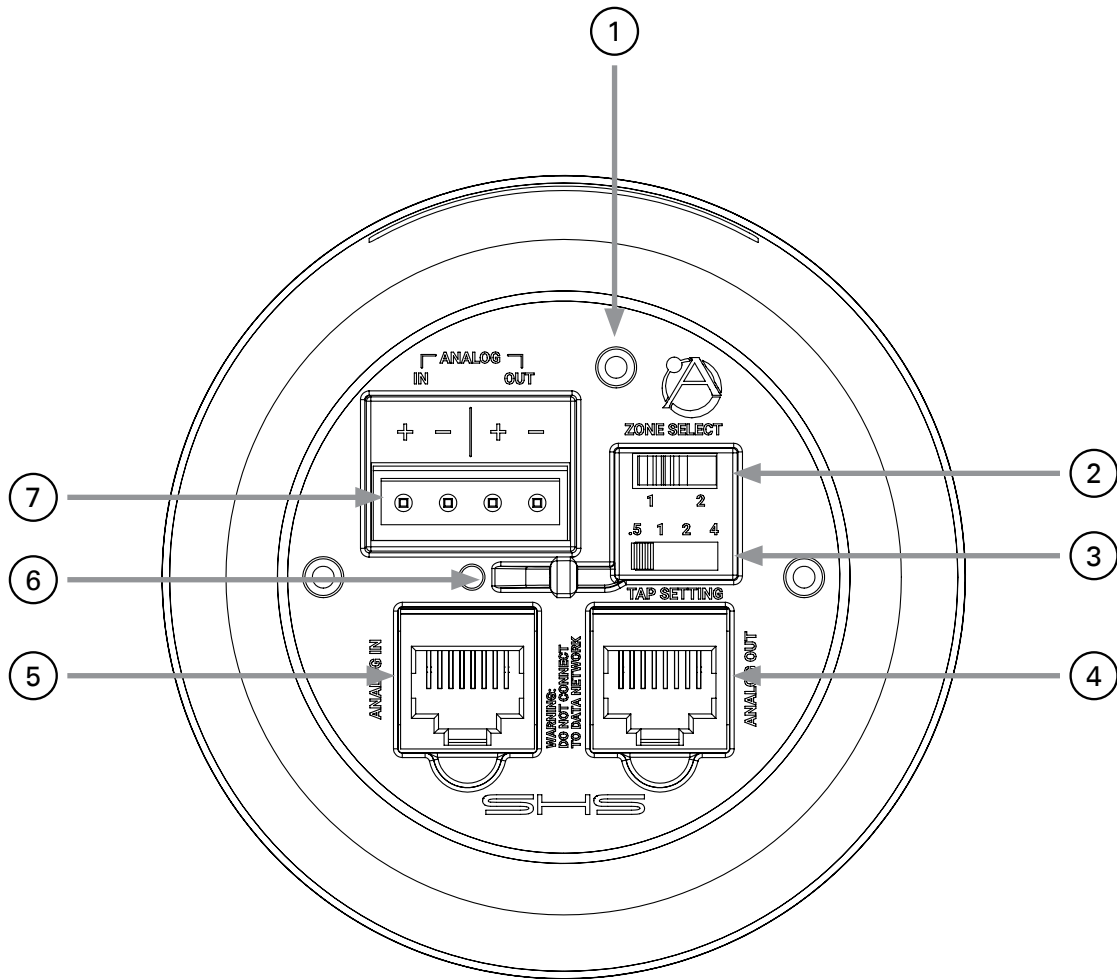


Painting the SHS Diffuser and Solid Lens

If the installation requires matching the SHS diffuser and lens to the ceiling color, there are three options.

1. In dry wall installations where the ceiling is going to be painted and the SHS is already installed. Make sure to mask the sound chamber and do not install the diffuser and lens until painting is completed. Use a paint that is suitable for both plastic and metal to paint the diffuser and lens to match the ceiling color before installing them on the sound chamber. **Note:** Do not paint the perforated lens.
2. In drop tile ceiling installations using non-white tiles use a paint that is suitable for both plastic and metal to paint the diffuser and lens to match the tile color before installing them on the sound chamber. Make sure to mask the sound chamber before painting. **Note:** Do not paint the perforated lens.
3. AtlasIED offers a custom UV-printing service through DesignLab™ by AtlasIED custom match process that is available for an additional fee. This service requires an image or sample submittal of the material to be matched. AtlasIED will then supply a custom lens mount, trim ring and lens. Learn more at atlasied.com/shs-cust.

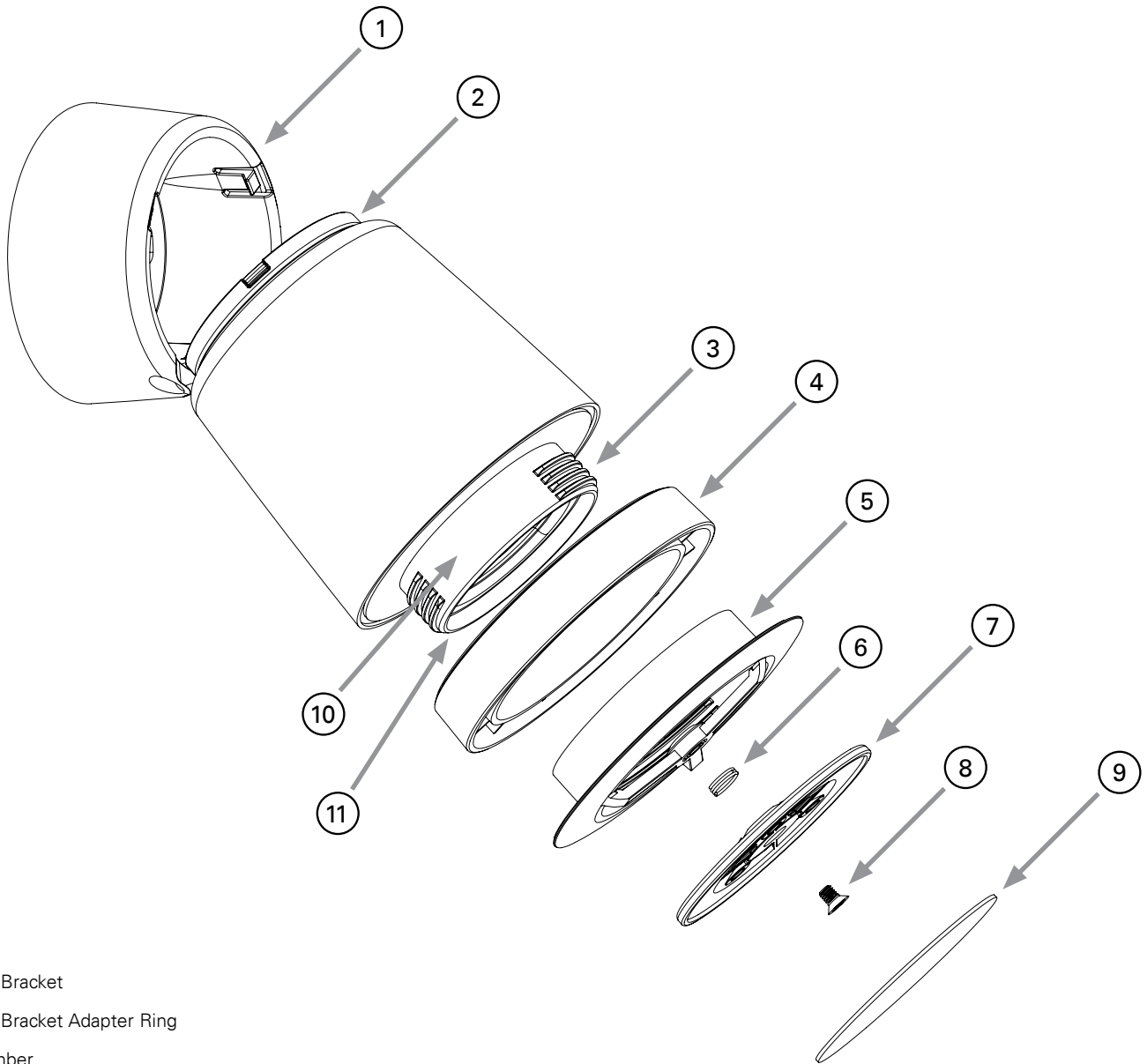
Connections



Note: Do not connect to the data network.

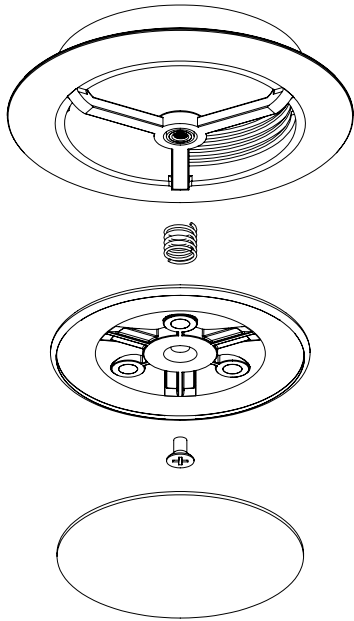
1. Wall Mount Bracket Adapter Ring Mounting Holes
2. Zone Selector Switch
3. Tap Selector Switch (Double for 100V Installations)
4. Analog Out Port (Cat5e)
5. Analog In Port (Cat5e)
6. Safety Wire Loop
7. Phoenix Connector

Parts Identifier

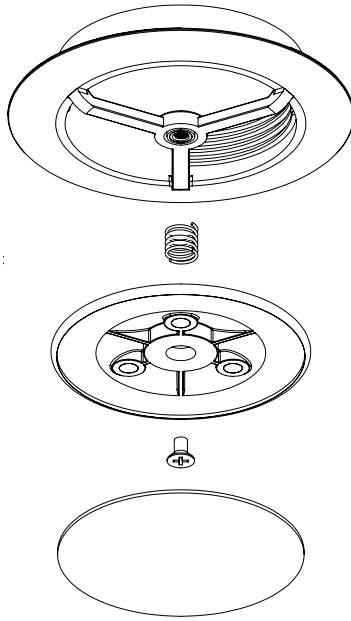


1. Wall Mount Bracket
2. Wall Mount Bracket Adapter Ring
3. Sound Chamber
4. Spacer
5. Flange
6. Spring
7. Lens
8. Lens Screw
9. Lens Cover
10. UL Label Location (with Model, Power, and Installation information)
11. Serial Number Label

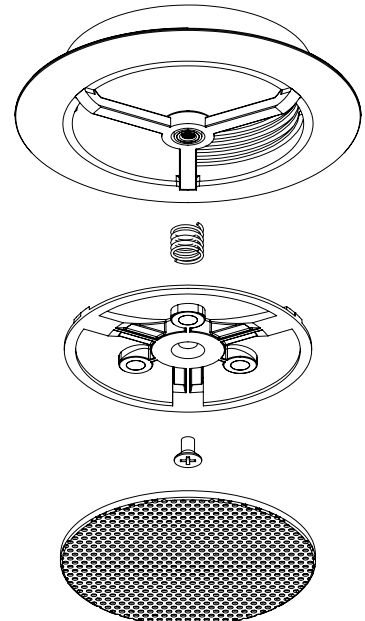
Installation Configurations



Standard Lens (4mm) with Solid Lens Cover
Ideal for Low Ceiling Installations (<10')
and Sound Masking Applications



Standard Lens (8mm) with Solid Lens Cover
Ideal for Medium Ceiling Installations
(10' - 14')



Direct Fire Lens (4mm) with Direct Fire Grille
Ideal for Installations with High Ceilings (>14')
or Applications Where Extreme Intelligibility
is Required

Use the included spring to increase the diffuser open area.

Note: Unit comes with 4mm Standard Lens and Solid Lens Cover installed on the Flange. To change lens remove solid lens cover by lifting up under the edge of the cover, unscrew the lens and replacing it with the desired lens.

Limited Warranty

All products manufactured by AtlasIED are warranted to the original dealer / installer, industrial or commercial purchaser to be free from defects in material and workmanship and to be in compliance with our published specifications, if any. This warranty shall extend from the date of purchase for a period of three years on all AtlasIED products, including SOUNDOLIER brand, and ATLAS SOUND brand products except as follows: one year on electronics and control systems; one year on replacement parts; and one year on Musician Series stands and related accessories. Additionally, fuses and lamps carry no warranty. AtlasIED will solely at its discretion, replace at no charge or repair free of charge defective parts or products when the product has been applied and used in accordance with our published operation and installation instructions. We will not be responsible for defects caused by improper storage, misuse (including failure to provide reasonable and necessary maintenance), accident, abnormal atmospheres, water immersion, lightning discharge, or malfunctions when products have been modified or operated in excess of rated power, altered, serviced or installed in other than a workman like manner. The original sales invoice should be retained as evidence of purchase under the terms of this warranty. All warranty returns must comply with our returns policy set forth below. When products returned to AtlasIED do not qualify for repair or replacement under our warranty, repairs may be performed at prevailing costs for material and labor unless there is included with the returned product(s) a written request for an estimate of repair costs before any nonwarranty work is performed. In the event of replacement or upon completion of repairs, return shipment will be made with the transportation charges collect.

EXCEPT TO THE EXTENT THAT APPLICABLE LAW PREVENTS THE LIMITATION OF CONSEQUENTIAL DAMAGES FOR PERSONAL INJURY, ATLASIED SHALL NOT BE LIABLE IN TORT OR CONTRACT FOR ANY DIRECT, CONSEQUENTIAL OR INCIDENTAL LOSS OR DAMAGE ARISING OUT OF THE INSTALLATION, USE OR INABILITY TO USE THE PRODUCTS. THE ABOVE WARRANTY IS IN LIEU OF ALL OTHER WARRANTIES INCLUDING BUT NOT LIMITED TO WARRANTIES OF MERCHANTABILITY AND FITNESS FOR A PARTICULAR PURPOSE.

AtlasIED does not assume, or does it authorize any other person to assume or extend on its behalf, any other warranty, obligation, or liability. This warranty gives you specific legal rights and you may have other rights which vary from state to state.

Service

Should your SHS-3T2 requires service, please contact the AtlasIED warranty department through the online warranty claim process.

Online Warranty Claim Processes

1. Warranty submissions are accepted at: https://www.atlasied.com/warranty_statement where the type of return Warranty or Stock return can be selected.
2. Once selected, you will be prompted to enter your login credentials. If you do not have a login, register on the site. If already logged-in, navigate to this page by selecting "Support" and then "Warranty & Returns" from the top menu.
3. In order to file a Warranty Claim, you will need:
 - A. A copy of the invoice / receipt of the purchased item
 - B. Date of Purchase
 - C. The product name or SKU
 - D. The serial number for the item (if no serial number exists, enter N/A)
 - E. A brief description of the fault for the claim
4. Once all required fields are completed, select the "Submit Button." You will receive 2 emails:
 1. One with a confirmation of the submission
 2. One with a case# for your reference should you need to contact us.

Please allow 2-3 business days for a response with a Return Authorization (RA) number and further instructions.

AtlasIED Tech Support can be reached at 1-800-876-3333 or atlasied.com/support.

Visit our website at www.AtlasIED.com to see other AtlasIED products.