



**WTSD-MIX31K**  
**3x1 Mic / Line / BT / AUX Mixer**  
**with Optional Dante®**  
**Audio Network Interface**



# WTSD-MIX31K

## Owner's Manual

### Table of Contents

Introduction .....	3
Key Features.....	4
Applications .....	4
Package Contents.....	4
WTSD-MIX31K Component Interface .....	5
Front Panel Description .....	6
Rear Panel Description .....	8
VOX Sensitivity & Microphone Gain Settings.....	9
WTSD BUS Structure .....	10
WTSD-PWBOB Features.....	11
Using Commercial Grade Bluetooth.....	13
Customizing the Bluetooth Discovery ID Name .....	13
Maximum Paired Devices Allowed.....	15
Resetting the Bluetooth IC.....	16
Sleep Mode Feature.....	17
Things To Consider Before Installation .....	18
Things To Be Careful Of During Installation.....	18
Choosing A WTSD Wall Mounting Method.....	19
Electrical Boxes and Rings .....	20
Installing the Power Supply.....	22
Installing the WTSD Indoors / Outdoors .....	22
Using the Optional WTSD-COVER Accessory.....	23
Installing Multiple WTSD Mixers On the Same BUS.....	24
Using the WTSD-PWHUB Accessory.....	25
Connecting to WTSD To a Dante® Network .....	25
WTSD Product Family .....	26
Optional Accessories.....	26
Specifications .....	27
Block Diagram .....	30
Dimensional Drawings .....	31
FCC Warning.....	32
Warranty .....	34

# WTSD-MIX31K

## *Owner's Manual*

### **Introduction**

Model WTSD-MIX31K is a 3x1 Mic / Line / Aux / Bluetooth analog mixer that features a balanced microphone / line input and an auxiliary 3.5mm and Bluetooth summed input with a balanced line output. The WTSD-MIX31K utilizes commercial grade Bluetooth technology featuring ultra low noise levels, long range connectivity, no auto connect and quick disconnect bump feature. The Bluetooth Discovery ID name can be customized using the installers app. Selection between mic or line level for the XLR input is done via front panel switch. The high gain mic inputs incorporate user enabled Phantom Power for condenser microphones and a 125Hz low cut filter to eliminate unwanted low frequency interferences. A local mute button mutes output to the bus and a system priority button can mute building wide BGM systems to isolate the room. An adjustable VOX feature allows for AUX input background audio to be muted when announcing is present. The AUX input is a stereo 3.5mm jack and is electronically summed to achieve the best audio performance. Separate level controls for each input provide control for the audio mix needed.

A basic WTSD system consists of four elements; a WTSD mixer, Cat5/6 cable, inline 24V DC power supply and an end point break out board / hub. All four are included with the purchase of a WTSD mixer except for the Cat5/6 cable. A 2-gang box is all that is needed to complete an installation. There are two versions of the WTSD end points offered. The WTSD-PWBOB comes with each unit and features a balanced audio output with signal, mute, system priority and power LEDs and 12V DC logic output for remote system muting or power sequencing. The WTSD-PWHUB is sold separately and features level control at the system head end, input limiting, isolated relay outputs to trigger system priority muting or system power activation, and an emergency mute port. The WTSD features an energy saving auto sleep function that can shut off the audio system when not in use after approximately 1 hour. As soon as the WTSD mixer senses an audio signal, the WTSD sends a command down the bus to wake the system up.

The WTSD-MIX31K analog audio BUS can easily be converted to an Audinate Dante® digital signal by interfacing with the optional AtlasIED TSD-DAC2i converter. The WTSDs are uniquely designed to fit into most 2-gang electrical boxes and utilize industry standard Cat5/6 cable for power, control, and audio. The WTSDs deliver high quality audio hundreds of feet by the use of a low noise / high gain preamp design and balanced audio bus. The proprietary low voltage bus is designed so that up to 3 WTSD mixers can be daisy chained on the same bus cable run while allowing for independent mixer operation. Each WTSD incorporates separate level controls for each input, a local mute, system priority override and an auto sleep function.

The optional WTSD-COVER stainless steel weather resistant locking security cover with gaskets is available for tamper proof indoor or outdoor applications. The PCBs are weather treated to reduce corrosion in damp environments. With the PCB treatment and the WTSD-COVER accessory, the installation will have protection against the environment and tamper protection for years of continuous operation.

# WTSD-MIX31K

## *Owner's Manual*

### **Key Features**

- Indoor or Outdoor Use
- Power Supply and WTSD-PWBOB Interface Included
- XLR Balanced Mic or Line Input with Level Control
- 3.5mm Stereo Actively Summed Input with Level Control
- Commercial Grade Bluetooth Input with Level Control
- The Bluetooth Discovery ID Name Can Be Customized
- Wall Plate Mounted, Fits Into Most 2-Gang Boxes
- Uses Industry Standard Cat5/6 Wire
- DC Bus with Peak Indicator
- High Gain Balanced Line Output for Long Distance Applications Up to 400ft
- 125Hz /12dB Low Cut Filter for Mic / Line
- Local Mute or VOX Mute
- Remote Trigger Output for Remote Amplifier Turn On
- System Priority Mute Function
- Input Signal & Peak Indicators
- Energy Saving Auto Sleep Mode
- Bluetooth Pairing Connect / Disconnect Switch
- WTSD-COVER Water Resistant Stainless Steel Locking Cover (Optional)
- WTSD-PWHUB Receiver with Limiter and Isolated Relays & Emergency Mute (Optional)
- TSD-DAC2i Analog to Dante® Digital Audio Transmitter (Optional)

### **Applications**

- Indoor / Outdoor Sports Complexes
- Schools - Gymnasiums, Rally Areas
- Hotel Ballrooms
- Community Multi-use Facilities
- Industrial Facilities

### **Package Contents**

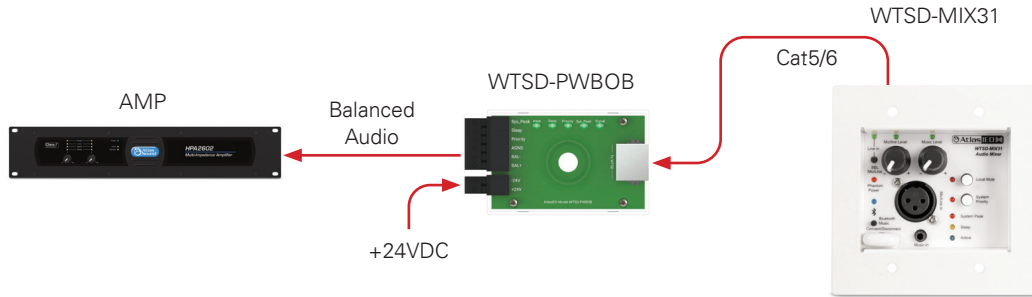
- WTSD-MIX31K, Qty 1
- WTSD-PWBOB, Qty 1
- Inline Power Supply 24VDC 1A, Qty 1
- 6/32 x 1" Pan Head Screws, Qty 4
- RJ45 Shims, Qty 4
- Manual, Qty 1

# WTSD-MIX31K

## Owner's Manual

### WTSD-MIX31K Component Interface

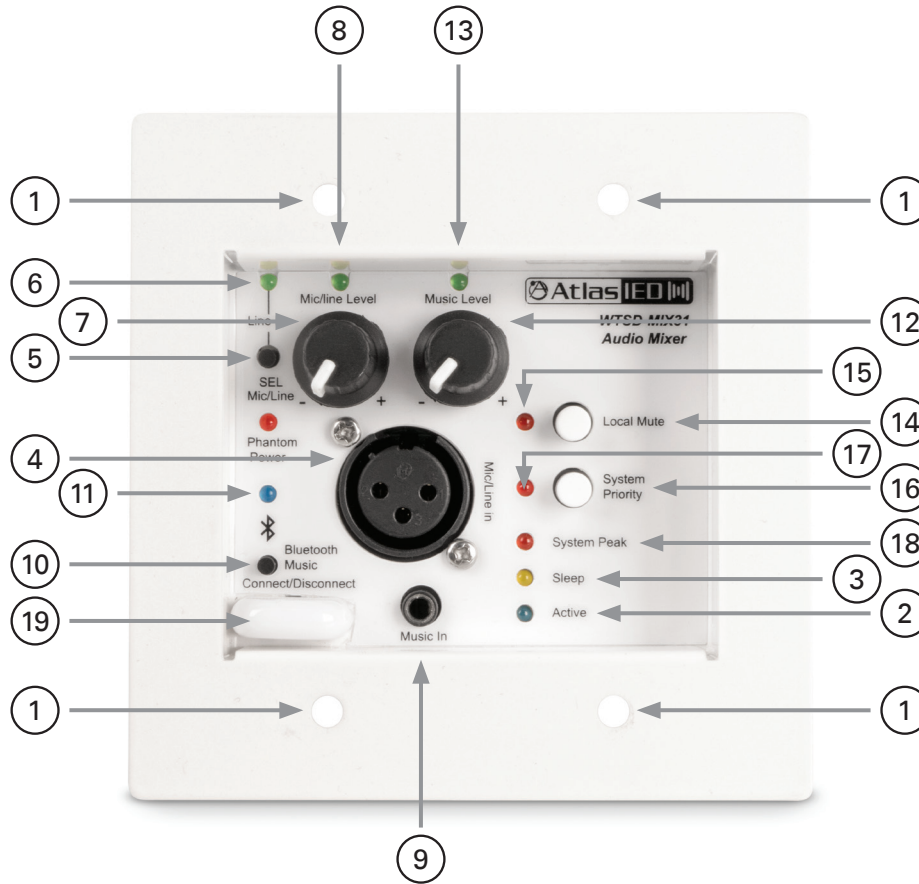
The WTSD-MIX31K connects to the WTSD-PWBOB via Cat5/6 cable. The 24VDC 1A power supply connects to the WTSD-PWBOB. The WTSD-PWBOB connects to the amplifier. **Note:** The max cable distance from WTSD-PWBOB to WTSD-MIX31K is 400ft. The Cat5/6 cable is not included.



# WTSD-MIX31K

## Owner's Manual

### Front Panel



#### 1. Mounting Holes

Fits a 2-gang NEMA electrical box.

#### 2. Active / Power Indicator

Illuminates blue when 24VDC is present.

#### 3. Sleep Indicator

Illuminates yellow when no audio signal is sensed at the WTSD after 1 hour. Note: Each WTSD sleep indicator operates independently. Refer to Sleep Mode Feature section for details.

#### 4. Mic / Line Input

Connects to balanced line or mic level sources via the XLR connection. For mic or line input gain selection, press the Mic / Line mode switch. When the line-in indicator is illuminating green the input will accept line level signals. Note: Unbalanced line inputs can be inserted with proper wire configuration by connecting the Pin 1 (G) and Pin 3 (-) terminals together.

#### 5. Mic / Line Mode Switch

For mic or line input gain selection, press the Mic / Line mode switch. When the line-in indicator is illuminating green the input will accept line level signals.

#### 6. Line Mode Indicator

When the line-in indicator is illuminating green the XLR input is in line mode.

# WTSD-MIX31K

## Owner's Manual

### 7. Mic / Line Level

Adjust the level Mic / Line input signals. Turn clockwise to increase the signal level and counter-clockwise to decrease it.

### 8. Mic / Line Input Signal Indicator

Illuminates green when the input signal strength reaches 25mV to verify a signal path. Note: The LED will not illuminate if the input level is turned Off / fully counter-clockwise.

### 9. Music Input 3.5mm

Electronically sums unbalanced audio signals through stereo 3.5mm input connector. The music level control is on the front panel. This input can be muted via the VOX adjustment pot for priority paging applications. **Note:** The 3.5mm input will take priority over the Bluetooth signal.

### 10. Bluetooth Music Connect / Disconnect Switch

Use this switch to pair a device, connect to a device or disconnect a device. Refer to the Using Bluetooth Section for detailed usage information.

### 11. Bluetooth Status Indicator

This blue indicator has different modes to indicate the status of the Bluetooth connectivity. Refer to the Using Bluetooth Section for detailed usage information.

### 12. Music Level

Adjust the level 3.5mm / Bluetooth input signals. Turn clockwise to increase the signal level and counter-clockwise to decrease it.

### 13. Music Input Signal Indicator

Illuminates green when the input signal strength reaches 25mV to verify a signal path. Note: The LED will not illuminate if the input level is turned Off / fully counter-clockwise.

### 14. Local Mute Switch

When the local mute switch is pressed, all local input signals will be muted and the local mute indicator will illuminate red.

### 15. Local Mute Indicator

Illuminates red when the local mute switch is pressed. All local inputs signals will be muted.

### 16. System Priority Switch

When the system priority switch is pressed, the system priority circuit is activated and sends a command to the WTSD-PWBOB. The system priority port on the WTSD-PWBOB will have 10V DC present to trigger a command on an external product such as muting or turning an amplifier or power strip On or Off. **Note:** A relay is activated when using the WTSD-PWHUB instead of the WTSD-PWBOB. Refer to the WTSD-PWHUB features for more details.

### 17. System Priority Indicator

Illuminates red when the system priority switch is pressed.

### 18. System Peak Indicator

Illuminates red when the input signal reaches 3dBV below when signal clipping will occur. Occasional flashing is normal but if this indicator is continuously on, then reduce the input level using the input level control on the front panel.

### 19. Bluetooth Antenna Cover

This cover protects the Bluetooth antenna. Do not push on this cover or damage may occur.

# WTSD-MIX31K

## Owner's Manual

### Rear Panel



#### 1. RJ45 Input

“To WTSD, PWBOB, PWHUB” – Connect the Cat5/6 cable between the WTSD being installed and a WTSD-PWBOB or WTSD-PWHUB. If there is more than one WTSD in the same BUS loop, this port connects to the second WTSD “From” RJ45 port.

#### 2. RJ45 Output

“From WTSD” – This port should only be connected to a second WTSD port label “To WTSD.”

#### 3. Configuration Switch

- DIP Switch 1 - VOX Sens HI-LO – This setting determines the VOX threshold voltage of the Mic input that triggers the circuit to mute the Bluetooth music or 3.5mm music while talking into the microphone. To determine the selection SW1 VOX Sensitivity of either HI or LO will depend on the type of microphone being used or the input source being applied. It is suggested to start in the “LO” sensitivity setting first. If the music is not muted with the Mic / Line input levels, change the SW1 switch setting from “LO” to “HI” for more sensitivity. When the switch is in the down position, the VOX sensitivity is “LO” and up is “HI”. **Note:** When using the microphone input and more microphone gain / sensitivity is needed, disable the MIC PAD by placing SW4 in UP (ON) position. We have provided a suggested VOX and Gain settings chart on the page 2 of the addendum.
- DIP Switch 2 - VOX Mute Enable. When in the up (ON) position, The VOX Mute function is enabled, meaning the music from the Bluetooth or the 3.5 AUX input will be muted when talking into the mic input. When the switch is in the OFF position the VOX music mute circuit becomes disabled or not active.



# WTSD-MIX31K

## Owner's Manual

- DIP Switch 3 - PHANTOM - Phantom Power applies 24VDC power for condenser mic operation to the Mic input. Up position is ON.
- DIP Switch 4 - Mic PAD Disable - When in the up position the mic gain setting will be the most sensitive. When the switch is in the down position, the 10dB pad is engaged.
- DIP Switch 5 - Mic HPF - Low Cut filter engages at 125Hz with a roll off rate of 12dB per octave on the Mic / Line input. This filter operates either in the Line or Mic mode and is available on input 1. Ideal for vocal microphones to reduce low frequency energy and to increase intelligibility. Up position is ON.
- DIP Switch 6 - Sleep Disable - When in the up position the sleep mode will not be engaged. When in the down position and no audio is present for 1 hour, sleep mode will be activated.

### VOX Sensitivity & Microphone Gain Settings

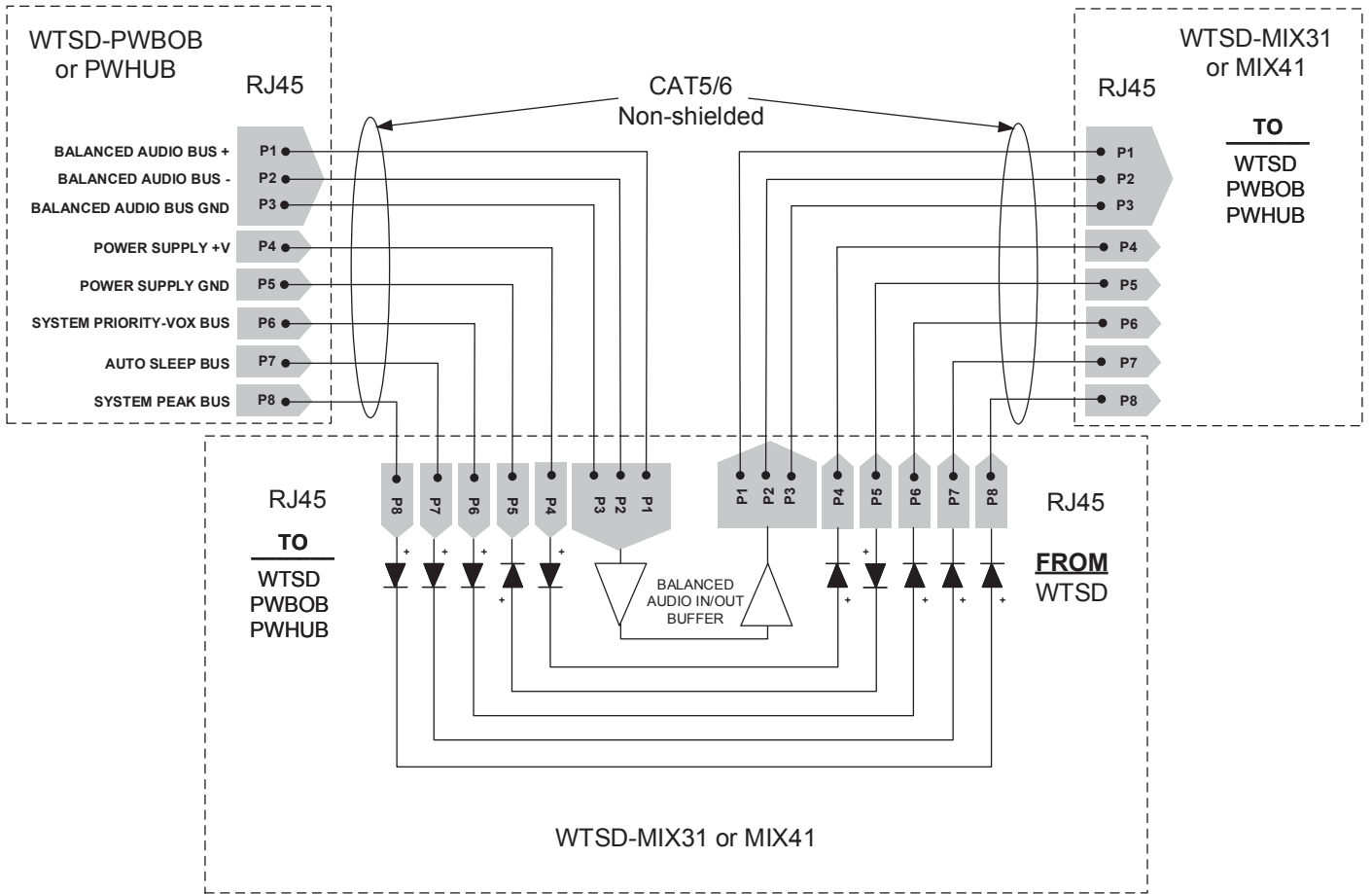
The chart below represents suggested starting points for VOX Sensitivity & Microphone gain settings based on the Microphone type and applications. This is a reference guide, and it is always best to configure the setting that works best for the install.

VOX Sensitivity & Microphone Gain Settings Guide						
Applications	Mic Type	SW1	SW2	SW3	SW4	SW5
		VOX Sens	VOX Enable	Phantom	Mic PAD Disable	Mic HPF (Hi Pass Filter)
Announcements	Cardiod	Down (LO)	Up (ON)	Down (OFF)	Down (OFF)	Up (ON)
Paging	Condenser	Down (LO)	Up (ON)	Up (ON)	Down (OFF)	Up (ON)
Wireless Mic Receiver Output	Mic Level	Down (LO)	Up (ON)	NA	NA	Up (ON)
Wireless Mic Receiver Output	Line Level	Up (HI)	Up (ON)	NA	NA	Up (ON)

# WTSD-MIX31K

Owner's Manual

## WTSD BUS Structure

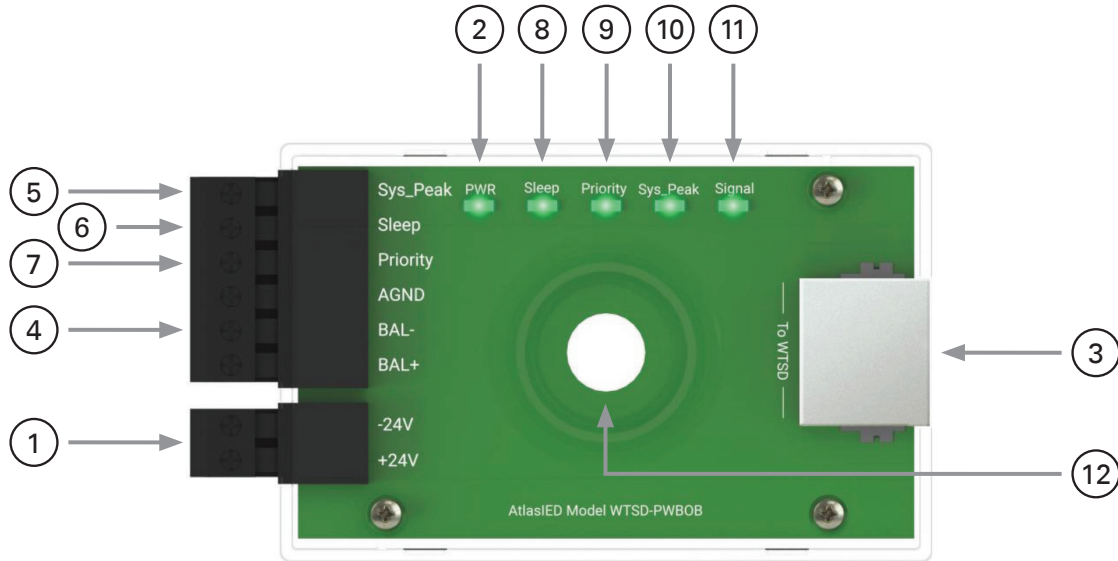


# WTSD-MIX31K

## Owner's Manual

### WTSD-PWBOB Features

The power break out box (PWBOB) is a DC power injector / trigger control / audio interface module. Each WTSD kit comes with a WTSD-PWBOB. This module can be placed in an equipment rack and connected to a WTSD via Cat5/6 cable. The PWBOB serves as the DC power injector to power WTSDs. The PWBOB is also the audio interface between a power amplifier, DSP or mixer. The indicators on the PWBOB are a useful visual guide to see the status of a WTSD that may be located several hundred feet away from the PWBOB in the equipment rack.



#### 1. Power Supply Input

Connect 24V DC Input. Note: Pay attention to supply + & – polarity. The 24VDC 1A power supply that comes with the kit will have the 2-position connector installed on the wires.

#### 2. PWR Indicator

This power indicator will illuminate green when 24V DC power is present at the Power Supply input.

#### 3. RJ45 to WTSD Interface

Connect a Cat5/6 cable to a WTSD RJ45 input marked “TO WTSD – PWBOB, PWHUB”

#### 4. Balanced Audio Output

This 3-position port provides a balanced audio output to connect to an audio mixer or amplifier input. Follow the wiring information for system interface. For unbalanced signals connect the (GND) and the (–) terminals together. A removable 3-position 3.5mm pitch Euro / Phoenix connector is supplied.

#### 5. SYS Peak Logic Port

This logic port will provide a minimum of +1VDC when any of the WTSD audio input signals are too high and the system peak LED is illuminated. Connect this port to an external VCA limiter for additional system protection.

# WTSD-MIX31K

## Owner's Manual

### 6. Sleep Mode Logic Port

When the WTSD does not sense audio after 60 minutes, the WTSD panel and WTSD-PWBOB sleep LED illuminate and this port logic voltage goes from 0V to +22VDC (use power supply -24VDC (GND)). This can be used to power On / Off an amplifier that is equipped with remote turn such as AtlasIED HPA amplifiers or to trigger an AC Mains power strip / sequencer On / Off like the AtlasIED AP-S20RT, AP-ECS3 or AP-ECS204. The +22VDC low current logic voltage allows the sleep mode feature to interface with a wider range of products that have remote turn on capability. This output current is limited to 2mA, protecting any equipment remote turn on interface. If the logic voltage is too high, AtlasIED recommends using the WTSD-PWHUB. **Note:** Most products list a minimum threshold voltage and current required to turn the product On / Off.

### 7. Priority Logic Port

When a WTSD system priority switch is pressed On, the system priority circuit is activated and sends a command to the system priority logic port on the PWBOB. A 12V DC logic will be present to trigger an external product action item such as muting an audio background system or to turn an amplifier or AC mains power strip On / Off.

### 8. Sleep Mode Indicator

Illuminates green when no audio signal is sensed at the WTSD after 1 hour. **Note:** Refer to the sleep mode feature section for feature details.

### 9. Priority Indicator

When a WTSD system priority switch is pressed On, the system priority circuit is activated and sends a command to the WTSD-PWBOB to the LED to illuminate green.

### 10. SYS Peak Indicator

This indicator illuminates red when WTSD audio input signals are too high triggering the system peak LED.

### 11. Signal Indicator

This indicator illuminates green when a WTSD input has audio present.

### 12. Mounting Hole

This mounting hole accepts a 1/4" bolt to mount to an equipment rack DIN rail.

# WTSD-MIX31K

## Owner's Manual

### Using Commercial Grade Bluetooth

The WTSD-MIX31K utilizes a commercial grade Bluetooth technology featuring ultra-low noise digital interference, high gain output, non-auto connectivity and a local disconnect bump feature. These features are not found in a consumer Bluetooth device. In commercial applications speakers that are commonly used are designed to deliver a high sound levels (SPL). These speakers are designed to be very efficient and are sensitive to unwanted noise from the amplifier or audio source. Bluetooth technology was intended for consumer applications and can produce unwanted digital noise at high volume levels. The WTSD-MIX31K was designed to reduce or eliminate the digital noise issue. Another common issue using consumer grade Bluetooth is the auto connect feature commonly used. Auto connect is ok when getting in and out of a vehicle, but in a commercial application it is not good to have someone walk into a room such as a gym and auto connect giving them unauthorized control over the audio system. Another common issue with consumer Bluetooth technology is when someone is unknowingly connected to the audio system and no one else can take control over the audio system because it is connected / locked to a person in the room. The WTSD-MIX31K does not utilize auto-connect technology and has the ability to bump a paired device from its connection by pressing the Bluetooth music disconnect switch. These features combined make the WTSD-MIX31K ideal for commercial applications.

### Bluetooth Discovery Unique ID for Each WTSD-MIX31

In Generation V1 of the WTSD-MIX31, the Bluetooth ID names in the mobile device pairing list show as "Atlas Mix31". When two or more WTSD-MIX31 units are installed in adjacent Zones, duplicate "Atlas Mix31" names show without indicating which ID belongs to which device. This can be frustrating for the user. In Generation V2 the Bluetooth ID is assigned a unique name for each device. When discovering the WTSD-MIX31 device on your phone it will now appear as "Atlas A01 or Atlas D43". The Last 3 digits are a unique assigned name for each WTSD-MIX31.

### Customizing the Bluetooth ID Discovery Name for the WTSD-MIX31

In Generation V2 the WTSD-MIX31 name of the Bluetooth ID can also be customized by the installer to meet the installation needs. **Example:** Two WTSD-MIX31 units are installed at a high school, one in the gym and one in the cafeteria. Using the smart phone Bluetooth ID rename app, the installer can change the Bluetooth Discovery ID name from "Atlas A01" to "School Gym" or "Cafeteria" **Note:** This app is a tool that changes the chip-level ID name, not a public use "Pet Name" that follows the user's mobile device. It is for setup and should only be used by the initial installer. Once the name is changed, the customized name will show in all mobile devices and the app is no longer necessary for daily use. For instructions on how to change the Bluetooth Discovery ID name in the WTSD-MIX31, scan the QR Code below or use the following link <https://www.atlasied.com/wtsd-mix31k#product-supportfiles>.



# WTSD-MIX31K


## Owner's Manual

### 1. First Time Pairing

- Turn the music level control all the way down (fully counter-clockwise).
- Press the Bluetooth music connect / disconnect switch 1 time. The Bluetooth LED will begin to blink blue.
- Go to the Bluetooth setting on the audio device being paired.
- Find "Atlas XXX" or the custom name and select pair.
- Once paired the Bluetooth LED will turn to steady state illumination, indicating the device and the WTSD-MIX31K are now connected.
- Before playing music, adjust the audio device level to 3/4 of the max source level. Slowly turn the music level control to the desired listening level.
- If the device fails to connect in 30 seconds the Bluetooth LED will turn Off and restart the pairing process.

**Note:** When using an Android device and discovering Bluetooth devices you may see two WTSD-MIX31 devices with the same Bluetooth ID name.

 Atlas A02 This device is used for audio streaming. Connect to this.

 Atlas A02(BLE) This device is used for admin functions. Do not use this.

### 2. Disconnecting the WTSD-MIX31K from the Paired Audio Source

- Press the Bluetooth music disconnect switch on the WTSD-MIX31K.
- Turn Off the Bluetooth feature on the paired audio device.
- When disconnected the Bluetooth LED will not be illuminated.

### 3. Reconnecting an Audio Source

- Turn the music level control all the way down (fully counter-clockwise).
- Press the Bluetooth music connect switch 1 time.
- The Bluetooth LED will blink. Select "Atlas XXX" or the custom name in the Bluetooth device settings.
- The Bluetooth LED will illuminate a steady state indicating the device and the WTSD-MIX31K are connected.
- Before playing music, adjust the audio device level to 3/4 of the max source level. Slowly turn the music level control to the desired listening level.

### 4. Out of Range Auto Connect

The WTSD-MIX31K has great range when compared to other Bluetooth devices due to the antenna placement within the device. Achievable range for Bluetooth connection is 100ft (33m) line of site. If the paired device goes out of the Bluetooth connection range from the WTSD-MIX31K the following will happen:

- Intermittent music indicates the user needs to move closer to the WTSD-MIX31K.
- If the user walks completely out of range, the WTSD-MIX31K will remain paired to the last device for 1 minute looking to reconnect. After 30 seconds of searching, the Bluetooth indicator will blink indicating it is about to be disconnected from the audio source.
- After 1 minute, the Bluetooth LED will stop illuminating indicating the audio source was disconnected. The Bluetooth connect switch will need to be pressed to re-connect.

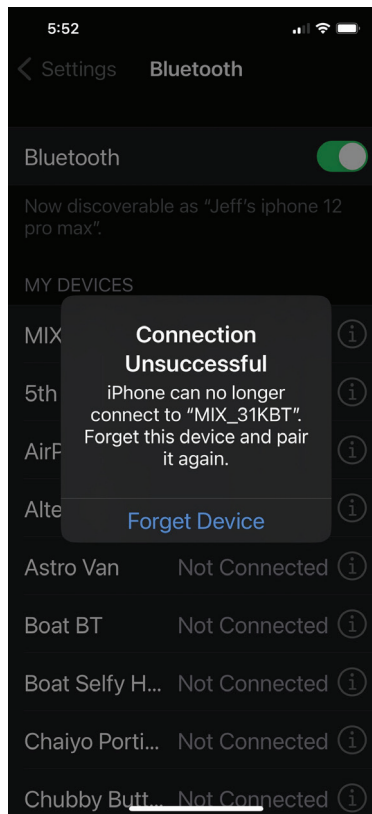
# WTSD-MIX31K

## Owner's Manual

### WTSD-MIX31 Maximum Paired Devices Allowed

All Bluetooth devices have a limit on how many devices can be paired to it. When the maximum number of devices have been reached the devices will not connect even though it had previously been paired and connected. When this occurs a message will appear on your phone or tablet instructing you to delete the Bluetooth device from your phone and re-pair.

1. The WTSD-MIX31 module can store up to 20 paired devices in memory.
2. When a 21st device needs to be paired to the WTSD-MIX31, memory space needs to be cleared to make room for the 21st device, the 1st device that was previously paired will be automatically erased from the WTSD-MIX31 memory.
3. After the 21st device is paired and when the 1st device tries to connect the WTSD-MIX31, the 1st device will still appear in the devices Bluetooth paired list but will not connect, and a pop-up statement will appear "Connection Unsuccessful".
4. For the 1st device to connect to the WTSD-MIX31 again, the WTSD-MIX31 will need to be deleted from the devices Bluetooth list. The WTSD-MIX31 name could be named "Atlas AXX" or a custom name. To do so tap on the WTSD-MIX31 Bluetooth name and select "Remove This Device." This deletes the WTSD-MIX31 from your phone or tablet Bluetooth list.
5. Now the phone or tablet needs to be re-paired to the WTSD-MIX31. Press the "Pair Button" on the WTSD-MIX31 and the Bluetooth LED will flash Blue. On your devices Bluetooth list the WTSD -MIX31 or the custom name will appear in the device Bluetooth discovered list. Select it to pair the device to the WTSD-MIX31. On the WTSD-MIX31 the Bluetooth LED will remain illuminated Blue.
6. The WTSD-MIX31 paired devices memory can be cleared allowing for 20 new devices to be paired on some devices that have Firmware v2.6 or higher. **Note:** The firmware on older units cannot be updated. See sections "Clearing the WTSD-MIX31 Bluetooth Paired Devices Memory" and "Resetting the Bluetooth Operation for Devices with Firmware v2.6 and Above."



# WTSD-MIX31K

## *Owner's Manual*

### **Clearing the WTSD-MIX31 Paired Devices Memory**

**Note:** Bluetooth memory clearing applies to units with Firmware v2.6 and above. The rear of the WTSD-MIX31 has a label with the Firmware version of the unit.

If the WTSD-MIX31 has reached the maximum number of paired devices it may be more convenient to clear all devices stored in the Bluetooth IC memory. To do so follow the steps below.

1. Press and hold the Bluetooth Connect / Disconnect switch in for 4-5 seconds until the Bluetooth LED blinks very rapidly for 3-4 seconds.
2. All previously paired devices have been erased from the WTSD-MIX31 memory.
3. You will be required to delete the WTSD-MIX31 device from your Phone or Tablet Bluetooth device list. To do so, tap on the WTSD-MIX31 Bluetooth name and select "Remove This Device." This deletes the WTSD-MIX31 from your phone or tablet Bluetooth list.
4. Now the phone or tablet needs to be repaired to the WTSD-MIX31. Press the "Connect / Disconnect" switch on the WTSD-MIX31 and the Bluetooth LED will flash Blue. On your devices Bluetooth list the WTSD -MIX31 or the custom name will appear in the device Bluetooth discovered list. Select it to pair the device to the WTSD-MIX31. On the WTSD-MIX31 the Bluetooth LED will remain illuminated Blue.
5. When deleting previously paired devices from the WTSD-MIX31 the Bluetooth name is not changed. If you customized the Bluetooth discovery name, this will not be affected and will remain the same.

### **Resetting the Bluetooth Operation for Devices with Firmware v2.6 and Above**

**Note:** Resetting the Bluetooth IC applies to units with Firmware v2.6 and above. The rear of the WTSD-MIX31 has a label with the Firmware version of the unit. To reset the Bluetooth IC, press and hold the Bluetooth Connect / Disconnect switch in for 4-5 seconds until the Bluetooth LED blinks very rapidly for 3-4 seconds. Then re-pair the phone to the device.



# WTSD-MIX31K

## Owner's Manual

### Sleep Mode Feature

The WTSD family features an energy saving green mode of operation called Sleep Mode. Sleep mode is activated when a WTSD does not sense any audio present after 60 minutes. After 60 minutes of no audio present the following happens:

1. One WTSD with a WTSD-PWBOB
  - A. The WTSD panel sleep LED illuminates yellow.
  - B. WTSD audio output is muted, not the BUS.
  - C. The PWBOB sleep LED illuminates green.
  - D. The PWBOB sleep port logic goes from 0V – 22V. This can be used to power amplifiers On / Off that are equipped with remote turn such as AtlasIED HPA amplifiers or to trigger an AC Mains power strip / sequencer On / Off like the AtlasIED AP-S20RT, AP-ECS3 or AP-ECS204. The 22VDC low current logic voltage allows for the sleep mode feature to interface with a wider range of products that have remote turn on capability. This output current is limited to 2mA, protecting any equipment remote turn on interface. If the logic voltage is too high, AtlasIED recommends using the WTSD-PWHUB. **Note:** Most products list a minimum threshold voltage and current required to turn the product On / Off.
2. Two or three WTSDs with a WTSD-PWBOB and one WTSD receives audio and wakes up.
  - A. All WTSD panel sleep indicators illuminate yellow.
  - B. One of the WTSDs receives audio and wakes up from sleep mode and the sleep indicator turns Off. The other WSTD sleep indicator(s) remains yellow.
  - C. The woke WTSD audio output is unmuted passing audio onto the BUS. The other WTSD(s) remains locally muted.
  - D. The WTSD-PWBOB sleep LED is not illuminated.
  - E. The WTSD-PWBOB sleep port logic goes from 22V – 0V. This voltage can be used to unmute an audio system or to turn On any equipment such as amplifiers or power strips.
3. One WTSD with a WTSD-PWHUB
  - A. The WTSD panel sleep LED illuminates yellow.
  - B. WTSD audio output is muted, not the BUS.
  - C. The WTSD-PWHUB sleep LED illuminates yellow.
  - D. The PWHUB auto sleep port relay is engaged and goes from Normally Closed (NC) to Normally Open (NO) contact position. This contact closure can be used to mute an audio system or to turn Off any equipment such as amplifiers or power strips to help conserve energy.
4. Two or Three WTSDs with a WTSD-PWHUB and one WTSD receives audio and wakes up.
  - A. All WTSD panel sleep indicators illuminate yellow.
  - B. One of the WTSDs receives audio and wakes up from sleep mode and the sleep indicator turns Off. The other WSTD Sleep indicator(s) remains yellow.
  - C. The woke WTSD audio output is unmuted passing audio onto the BUS. The other WTSD(s) remains locally muted.
  - D. The WTSD-PWHUB sleep LED is not illuminated.
  - E. The WTSD-PWHUB auto sleep port relay goes from Normally Open (NO) to Normally Close (NC) contact position. This voltage can be used to unmute an audio system or to turn On any equipment such as amplifiers or power strips.

# WTSD-MIX31K

## *Owner's Manual*

### **Things to Consider Before Installation**

1. Select the correct mounting method. It is critical to fit the WTSD and the wires in the box without causing damage to the WTSD. Refer to the section "Choosing a WTSD Wall Mounting Method" for details on selecting the correct mounting method for the application.
2. Check for local electrical codes for low voltage installation requirements.
3. Do not use shielded Cat5/6 cable. The RJ45 connectors on the WTSD do not have a ground connection for the shield, so it is not necessary. The STP Cat6 can also be less flexible when installing in a back-box.
4. If using a WTSD outdoors, make sure the optional WTSD-COVER is used and do not expose directly to rain or snow. At minimum, place under an eave.

### **Things to Be Careful of During Installation**

1. If using a shallow electrical back-box do not stuff the cables if there is no room. This can damage the WTSD.
2. When running the Cat5/6 cable use standard IT wiring practices. If not, noise interference can happen.
3. Avoid AC mains power. Never run the WTSD BUS cable parallel next to AC 120V – 240V electrical runs and stay clear of AC outlets, or unwanted noise pick up can occur.
4. Using low grade / cost RJ45 connectors can cause an intermittent connection and popping in the audio system may occur.

# WTSD-MIX31K

## Owner's Manual

### Choosing a WTSD Wall Mounting Method

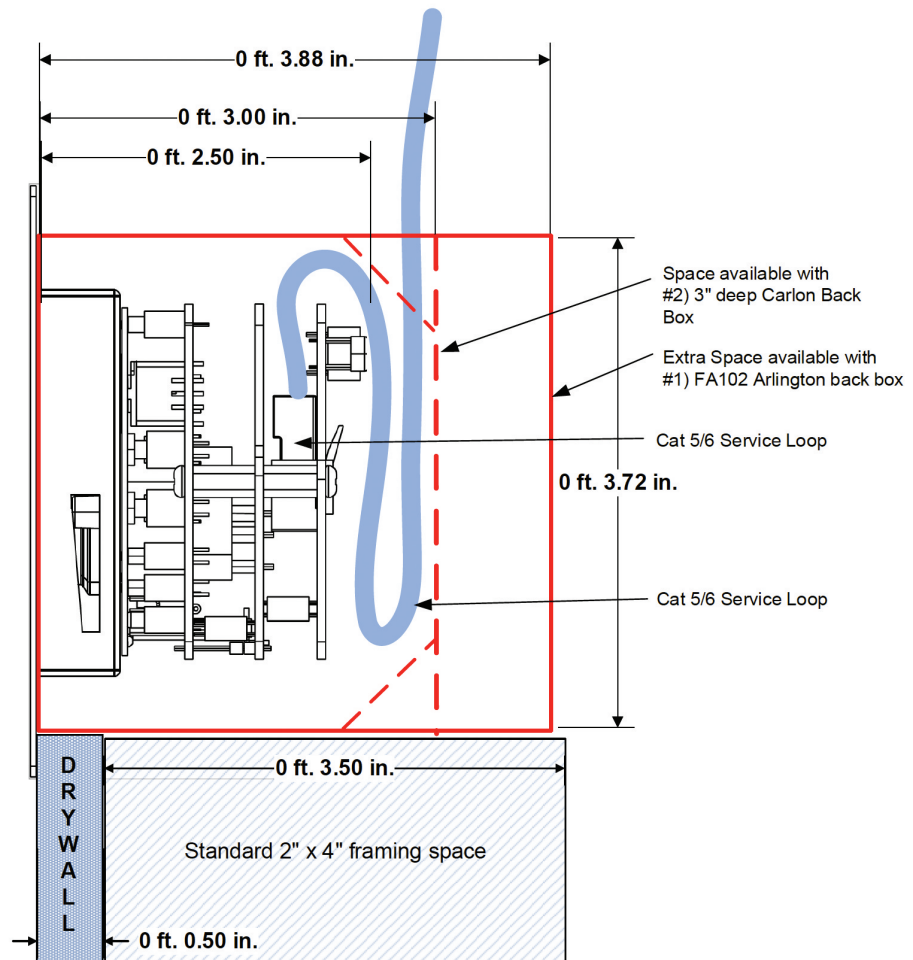
When selecting the correct installation method of a WTSD it is important to know the state / city electrical codes. The WTSD should not be required to be mounted in a UL certified electrical box. This is because the WTSD family meet low voltage electrical codes. AtlasIED suggests following IT wiring practices. Check for local electrical codes and requirements before starting installation. **Note:** It is not advisable to bundle IT-Data infrastructure wiring runs with the WTSD-BUS long runs.

All WTSDs are designed to mount using standard 2-gang (NEMA) size hole spacing and fasteners. Fasteners are included with the WTSDs along with a WTSD-PWBOB and a 24VDC-PSU. If only one WTSD-MIX31K or WTSD-MIX41K is used in a system, then only one Cat5 or 6-RJ45 to RJ45 (T568 non-crossover cable), will be needed to connect the WTSD to the WTSD-PWBOB at the head-end. If other WTSDs are needed in the same system, then a loop thru or 2 x Cat5 or 6 (one IN and one OUT) will be the max amount of wiring inside of a back-box.

The overall depth of the WTSDs are approximately 2.5". The RJ45 connectors plug in vertically on the rear inside of the 2.5" depth (see diagram below). It is always a good practice to include a service loop length of cable to allow removing the wall plate without pulling cable and possibly damaging the WTSD. The diagram shows that 3" depth is the minimum space required to allow for the cable to be looped.

WTSD mounting options are:

1. Electrical 2-gang box
2. Wall mount 2-gang retro fit ring
3. Direct surface mount (this requires a 3.25" W x 2.70" H hole)



# WTSD-MIX31K

## Owner's Manual

### Electrical 2-Gang Box Mounting

When planning to install the WTSD-MIX31K back-box types and depth clearances need to be considered. This document in no way includes all options available that will work for the WTSDs. It is simply a guide to help save time when determining and planning materials for a project.

#### 1. 2-Gang Low Voltage Retro-Fit Back-Box

Where a retro-fit full back-box is required, most deep (3" min or 34 in<sup>3</sup>) low voltage retro-fit 2-gang back-boxes will work. Figure 1 is a Carlon 2-gang low voltage retro-fit 3-5/8" deep box. Figure 2 is a Legrand Pass & Seymour 2-gang low voltage retro-fit 32 in<sup>3</sup>, 3" deep back-box.

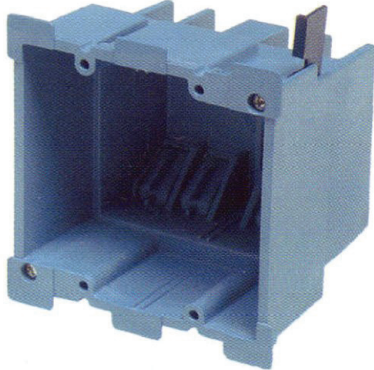


Figure 1



Figure 2

#### 2. 2-Gang Low Voltage New Construction Box

Where Class 2 low voltage wiring is acceptable but new construction prewiring is required, most deep (3" or 34 in<sup>3</sup>) low voltage new-work 2-gang back-boxes will work. Figure 3 is an Arlington FA102GC 2-gang adjustable 43.5 in<sup>3</sup>, which provides the most space for wiring found by AtlasIED. Figure 4 is a Carlon B234ADJ, 2-gang, 3" depth adjustable back-box. It has a little less space than the Arlington. **Note:** This back-box is easier to use after breaking out the Romax clamp tabs.

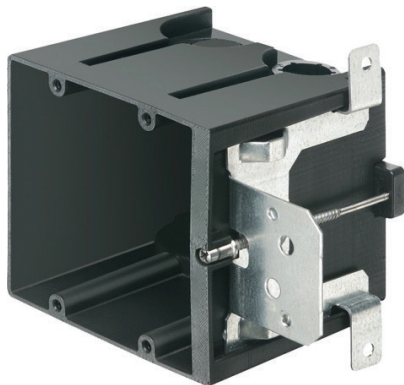


Figure 3

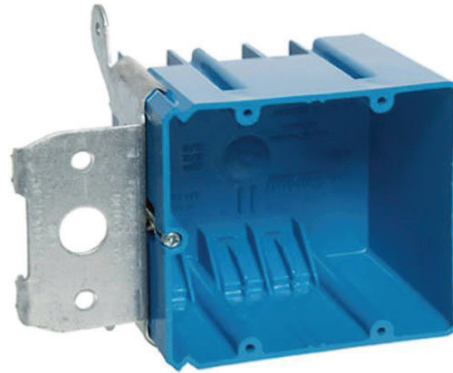


Figure 4

# WTSD-MIX31K

## Owner's Manual

### 3. 2-Gang Outdoor Box

Figure 5 is a BELL-5389, 36 in<sup>3</sup> metallic 2-gang box coupled with Figure 6, a Bell-5407-0B 1-1/32" deep weatherproof extension ring that fits on the front and comes with a gasket. Use these when outdoor all-weather protection is required. In this application use a WTSD-COVER over the WTSD to seal the assembly.



Figure 5



Figure 6

### 4. 2-Gang Low Voltage New Construction Rings

Where Class 2 low voltage wiring is acceptable but new construction rewiring is required, most low voltage new construction rings will work. Figure 7 is a Thomas & Betts CARSC200ADJ 2-gang box. Figure 8 is a Thomas & Betts CARSC200A box with Smurf Tube mounts. Smurf Tube couplers can be problematic with the WTSDs. If the couplers are used they need to be kept almost flush to the inside of the ring in order to clear WTSDs.



Figure 7

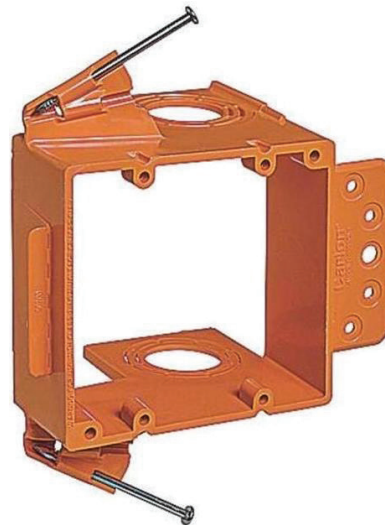


Figure 8

# WTSD-MIX31K

## Owner's Manual

### 5. 2-Gang Low Voltage Retro-Fit Ring

Where Class 2 low voltage wiring is acceptable and cut-in retro-fit install is required, most low voltage rings will work. Figure 9 is an Arlington LV2.

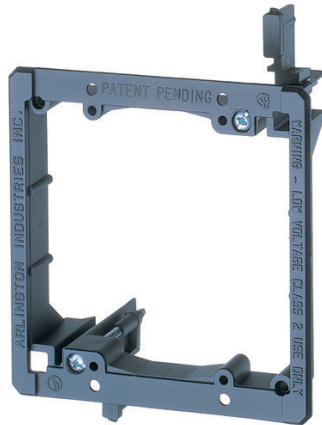


Figure 9

### Installing the 24VDC Power Supply

Powering the WTSD BUS requires use of the included external power supply. A UL Certified external 24VDC 1A power supply is supplied to power the WTSD-MIX31K. It is suggested to place the WTSD within 10ft of a 120V AC outlet. If this is not possible, the power supply wire for the 24VDC output can be extended up to 50ft. **Note:** This does not void the warranty as it is the low voltage wire that is being extended. Pay attention to the DCV polarity when reconnecting the removable Phoenix connector. Only use the included approved power supply or failure may occur. Must be installed by a qualified technician. Local electrical codes will apply.

### Installing the WTSD Indoors

It is recommended before installing the WTSD to review the local codes for placement of the device. Installing a WTSD does not require using the WTSD-COVER but it is recommended to use the WTSD-COVER for security reasons. Refer to the WTSD-COVER section for more details. For most indoor applications, a low voltage electrical ring is all that is required to mount the WTSD. Using an electrical ring with a WTSD allows for an easy spacious installation.

### Installing the WTSD Outdoors

If using a WTSD outdoors, it is recommended to use the optional stainless-steel locking WTSD-COVER. The WTSD needs to be mounted in a location that is under a building overhang or a under weather deflection shield. **Note:** Do not place directly in rain or snow. Using a quality outdoor electrical box is critical to obtaining a weather sealed fit.

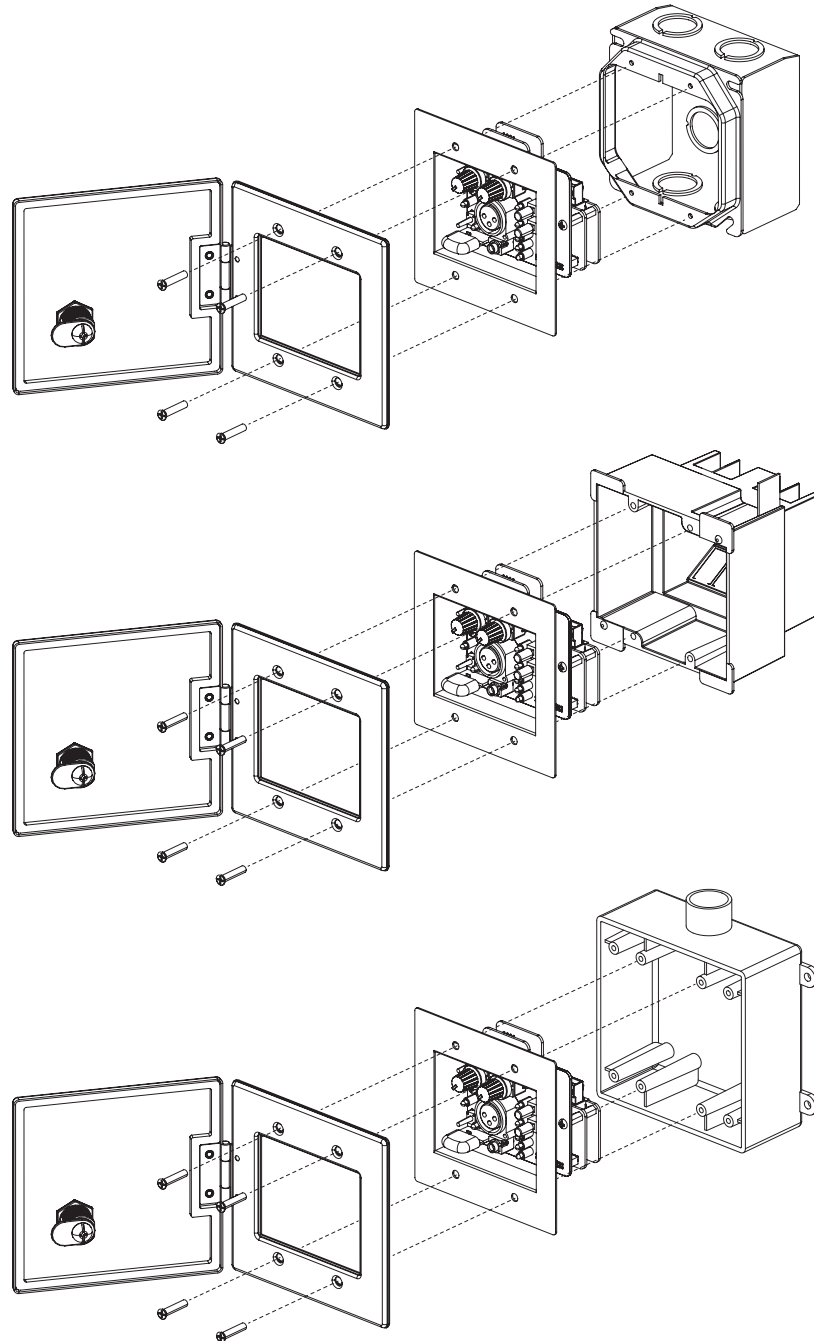
# WTSD-MIX31K

## Owner's Manual

### Using the Optional Weather Resistant WTSD-COVER

The WTSD-COVER optional stainless-steel locking cover can be used in indoor or outdoor applications. It works with most 2-gang electrical outlet boxes. It comes with factory mounted gaskets to seal the cover to the WTSD and electrical box. **Note:** If using outdoors it is recommended to locate the WTSD and WTSD-COVER under a building overhang. Do not place directly in rain or snow.

The WTSD-COVER is supplied with stainless-steel screws and a locking set of keys (2). The gaskets are factory mounted; one on the ring to seal against the WTSD wall-plate, and one on the inside of the door to seal the door when it is closed.



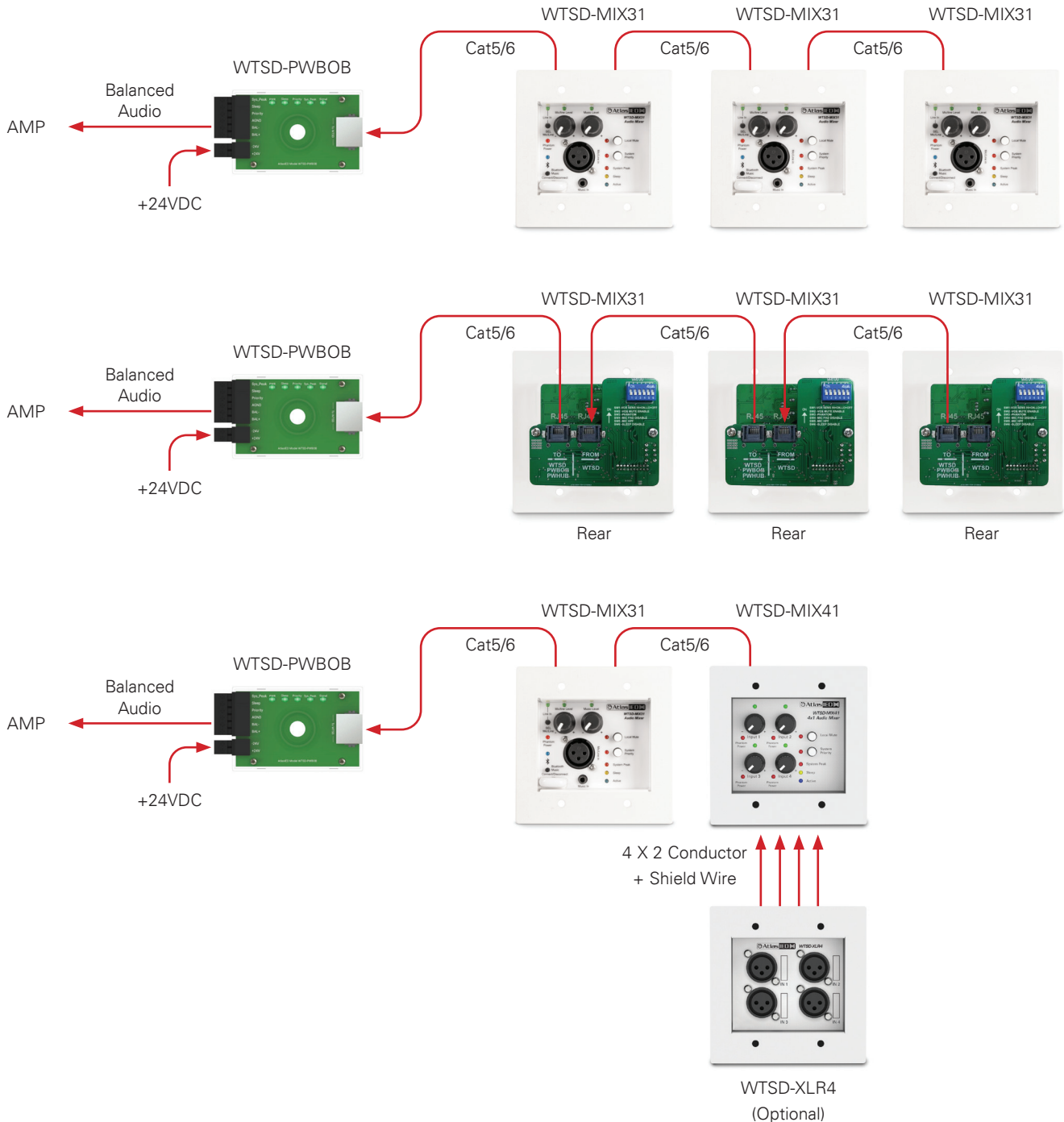
# WTSD-MIX31K

## Owner's Manual

### Installing Multiple WTSD Mixers On the Same BUS

The proprietary WTSD low voltage bus is designed so that up to 3 WTSD mixers can be daisy chained on the same bus cable run while allowing for independent mixer operation. Even when daisy chained each WTSD incorporates separate level controls for each input, a local mute, system priority override and an auto sleep function. All WTSD models are interchangeable within the WTSD BUS.

The furthest distance between the sound system front end (WTSD-PWBOB or WTSD-PWHUB) and the furthest WTSD wall mixer is 400ft to remain within the noise level specifications. Pay attention to the daisy chain wire looping. Refer to the diagrams below.



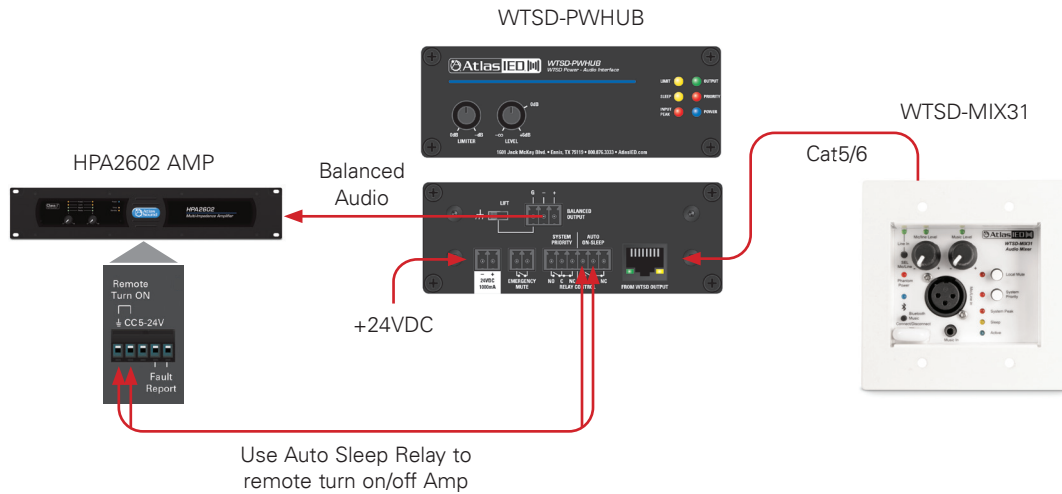


# WTSD-MIX31K

## Owner's Manual

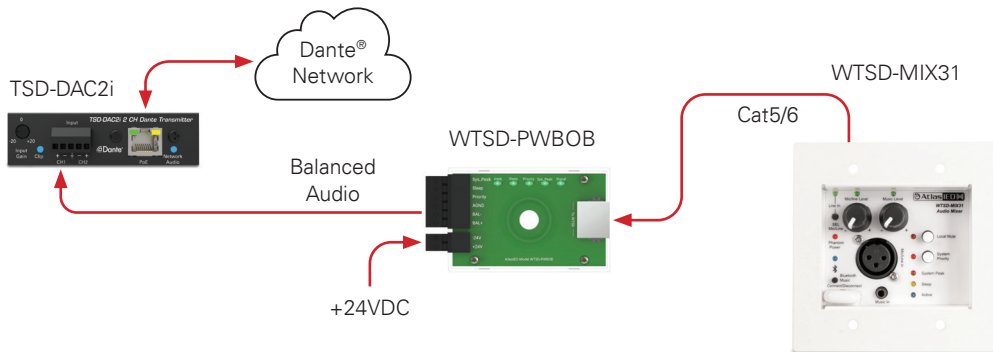
### Using the WTSD-PWHUB (Accessory)

In some applications, the WTSD-PWHUB can be used in place of a WTSD-PWBOB. The advantage of using a WTSD-PWHUB over a WTSD-PWBOB is that the WTSD-PWHUB has a variable gain control at the rack, a variable hard limiter, auto sleep and system priority override relay contacts instead of voltage triggers. It also provides an emergency override GPIO port to interface with fire / evacuation systems. In this example, the WTSD-PWHUB uses the auto sleep relay to turn the main room amplifier On / Off.



### Connecting a WTSD to Dante Network

The WTSD analog audio BUS can easily be converted to an Audinate Dante® digital signal by interfacing a WTSD-PWBOB or WTSD-PWHUB with the optional AtlasIED TSD-DAC2i. The PoE powered TSD-DAC2i transceiver has two channels of network audio and will support two separate WTSD systems.



# WTSD-MIX31K

## Owner's Manual

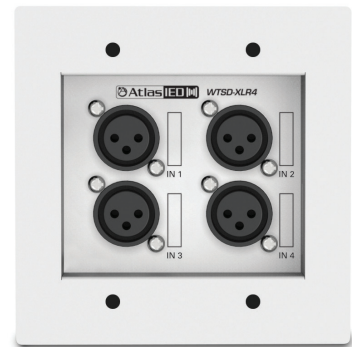
### WTSD Product Family



WTSD-MIX31K



WTSD-MIX41K



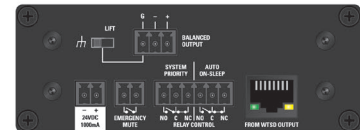
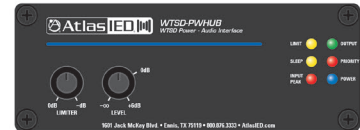
WTSD-XLR4



WTSD-COVER



WTSD-PWBOB

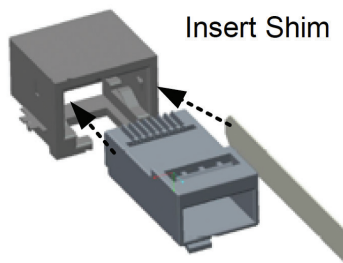


WTSD-PWHUB

### Optional Accessories

WTSD-COVER - Lockable Weather Resistant Stainless Steel Cover

RJ45 Shims - There are many manufactures of RJ45 connectors and Ethernet cables that vary in size tolerance. These slight size variations can cause intermittent connectivity issues. This does not happen often, but if encountered, these issues can be easily resolved by using the RJ45 shims to fill the small gap between the RJ45 male connector and the RJ45 PCB mating receptacle. With the RJ45 inserted into the receptacle, slide a shim between the male connector and the PCB mounted receptacle. This is shown in the illustration below. **Note:** All 4 shims are not required to be used.



# WTSD-MIX31K

## Owner's Manual

System	
Type	3x1 Mic / Line, AUX, Bluetooth, Wall Plate Audio Mixer
Optional Accessories	
WTSD-COVER	Locking, All Weather Stainless Steel
WTSD-PWHUB	Audio / Power Interface with Level Control, Limiter, Emergency Mute Override, Auto Sleep, System Priority GPIO Ports (Replaces the WTSD-PWBOB)
TSD-DAC2i	Analog to Dante® Digital Audio Transmitter
Inputs	
Input Type	Unbalanced, Qty 1
Music Input	3.5mm Stereo Summed (Has Priority Over Bluetooth Signal), Front Panel
Impedance	10kΩ
Input Level	316mV (-10dBV) = 2V (+6dBV) Balanced Output, Maximum Input 1.6V (4.1dBV)
Input Type	Unbalanced, Qty 1
Music Input	Bluetooth 4.1 Commercial Grade (Unique Features: Ultra Low Noise, Long Range Connectivity, No Auto Connect and Quick Disconnect Bump Feature) Bluetooth Discovery ID Name Can Be Customized Using the Installer App
Impedance	10kΩ
Input Level	1V (0dBV) = 2V (+6dBV) Balanced Output, Maximum Input 1.6V (4.1dBV)
Input Type	Balanced Mic or Line, Selectable via Flush Mount Panel Switch, Qty 1
Connection	XLR Female Socket
Location	Front Panel
Impedance	1.2kΩ Balanced, 600Ω Unbalanced
Phantom	24VDC Defeatable Rear Panel DIP Switch
Low Cut Filter	125Hz / 12dB Defeatable Rear Panel DIP Switch
Line Input Level	500mV (-6dBV) Balanced = 2V (+6dBV) Balanced Output
Maximum Input	4V (+12dBV)
Mic Input Level	1. No Pad Applied = 5mV (-46dB) = 2V (+6dBV) Balanced Output 2. 10dB Pad Applied = 15mV (-36dB) = 2V (+6dBV) Balanced Output 3. Maximum Input 40mV (-27dBV) 4. Mic On Indicator Front Panel, Green
Input Type	Input - WTSD BUS
Connection	RJ45
Location	Rear Panel
Outputs	
Output Type	Output - WTSD BUS Interfaced with the WTSD-PWBOB or WTSD-PWHUB
Connection	RJ45
Audio	Analog Balanced Line (Part of BUS)
Logic	Auto Sleep, System Mute, System Priority
Location	Rear Panel

# WTSD-MIX31K

## Owner's Manual

Controls	
Music Level Control	Controls the Levels of Bluetooth & 3.5mm Input, Front Panel, Qty 1 Knob
Mic / Line Level Control	Mixes the Levels of Mic Input or Line, Front Panel, Qty 1 Knob
Mic / Line Switch	Flush Mount Latching Push Switch, Front Panel
System Priority Switch	Latching Push Switch, Front Panel
Local Mute Switch	Latching Push Switch, Front Panel
BT Connect / Disconnect	Used as a Bluetooth Pairing and Override Disconnect
DIP Switch	Rear Panel, 6 Position, VOX On / Off, VOX Sensitivity, Phantom, Mic PAD Disable, 125Hz HPF, Auto Sleep Disable
Indicators	
Mic / Line	Green LED When Line Mode, Front Panel
Phantom	Red LED When in Mic Mode, Front Panel
Sleep	Yellow LED When in Auto Sleep Mode
Power	Blue LED When the DC Bus is Active
Bluetooth	Blue LED When BT is Active
Technical Data	
Frequency Response	20Hz - 20kHz $\pm$ 1dB
THD	0.06% @ 1kHz
Audio Output	Balanced Line, Max Output 6V (+15dBV)
Logic Output PWBOB	Priority Out = 12VDC Sleep Mode = 22VDC System (SYS) Peak = 1V DC
DCV BUS	24V DC
Signal To Noise	Line Input: 81dB @ 100ft Cat5/6 Cable, 77dB @ 400ft Mic Input: 75dB @ 100ft Cat5/6 Cable, 72dB @ 400ft Music Input: 77dB @ 100ft Cat5/6 Cable, 74dB @ 400ft <b>Note:</b> Signal Unit Measurement, Levels Set to Max. Noise Referenced to a 1V / 0dBv Output. Noise Will Vary with Cat5/6 Length.
Cable Distance	Maximum Cable Length is 400ft
Cable Type	Suggested Cable is Cat5/6
Bluetooth	Version 4.1, Commercial Grade
Sleep Mode	After 1 Hour with No Audio Activity, Audio BUS is Muted, Sleep BUS 22V Logic is Activated, WTSD Wake Up Voltage Threshold 3mV
VOX Threshold Range	High / Low
Mic / Line Signal Indicator On Threshold	Input Voltage, Mic 300uV No PAD, Mic 2mV with 10dB PAD, Line 30mV
Music Signal Indicator On Threshold	10mV
System Peak Indicator On Threshold	Input Voltage, Mic 20mV No PAD, Mic 110mV with 10dB PAD, Line 2V, Music 3.5mm / Bluetooth 1V
Mic / Line Hi-Pass Filter	12dB per Octave, Butterworth
Ambient Operating Conditions	
Maximum Temperature	104°F / 40°C
Minimum Operating Temperature	14°F / -10°C
Maximum Humidity	90%
Mounting	
Wall Controller	2-Gang Electrical Box (If Mounting in an Electrical Box, a Deep Box with a Minimum of 3" is Required. See Manual for Suggested Mounting Options)
WTSD-PWBOB	Screw (Center 1/4"), Adhesive 3M® Tape

# WTSD-MIX31K

## Owner's Manual

Power Requirements	
Voltage	24V DC (24VDC 1A Power Supply Included with WTSD-MIX31K)
DC Current Draw	110mA (Note 1)
AC Power Supply Consumption Current	52mA (Note 1)
AC Power Supply Consumption Watts	2.5W (Note 1)
BTU	8.5 BTU (Note 1)
Mechanical	
Chassis Finish	White
Chassis Material	Steel
Product Dimensions (HxWxD)	4.37" x 4.34" x 2.5" (111mm x 110mm x 64mm)
Shipping Dimensions (HxWxD)	3.34" x 8.2" x 5.4" (85mm x 209mm x 138mm)
Unit Weight	0.53 lbs. (0.24kg)
Shipping Weight	1.3 lbs. (0.61kg)
Electrical Box Required	2-Gang, Deep Box Required, 2.6" Minimum Depth (Note 2)
WTSD-PWBOB (Included with WTSD-MIX31K)	
Type	WTSD Interface Module
Input Connection	RJ45 From WTSD BUSS
Input Connection	2 Position Phoenix 3.5mm Pitch, DC Input 24V
Output Connection	6 Position Phoenix 3.5mm Pitch, Balanced Audio Output, System Priority Logic 12VDC, 2mA Sleep Mode Logic 22VDC, 2mA System Peak Logic 1VDC, 2mA
Indicators	Power, Green LED Sleep Mode, Green LED System Priority, Red LED System Peak, Green LED Signal, Green LED
Safety & Certifications	
Safety Listing (External Power Supply)	cUL, CE, RoHS, TUV
WTSD-MIX31K Bluetooth	FCC, IC (Canada), Bluetooth Certified

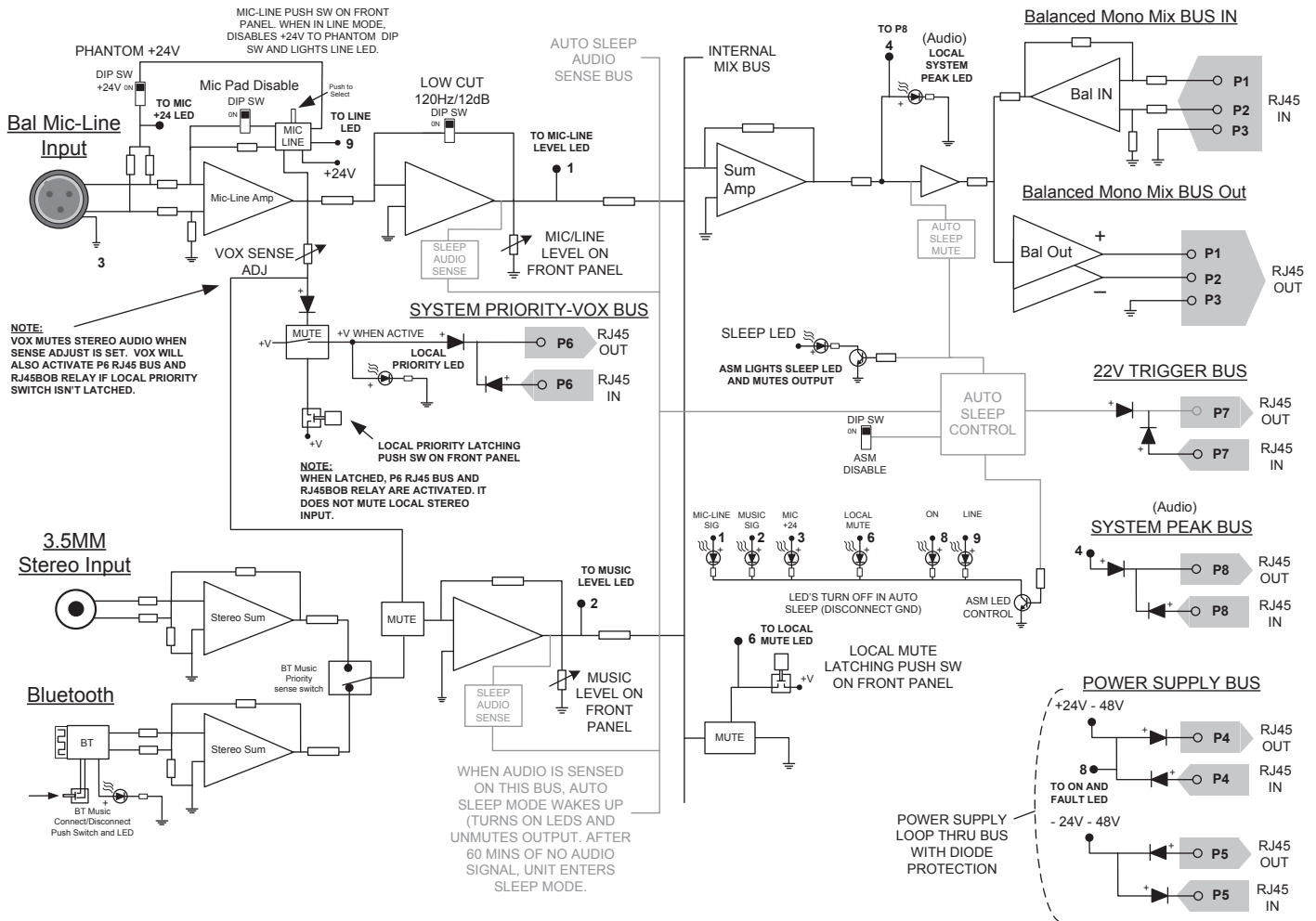
**Note 1:** Current draw, watts and BTU is based on 1 WTSD. For each additional WTSD added in series, add the additional draw.  
Example: 2 WTSD = 104mA, 3 WTSD's = 156mA of DC Current draw.

**Note 2:** Electrical box requirements - For additional information refer to manual for recommended box types.

# WTSD-MIX31K

## Owner's Manual

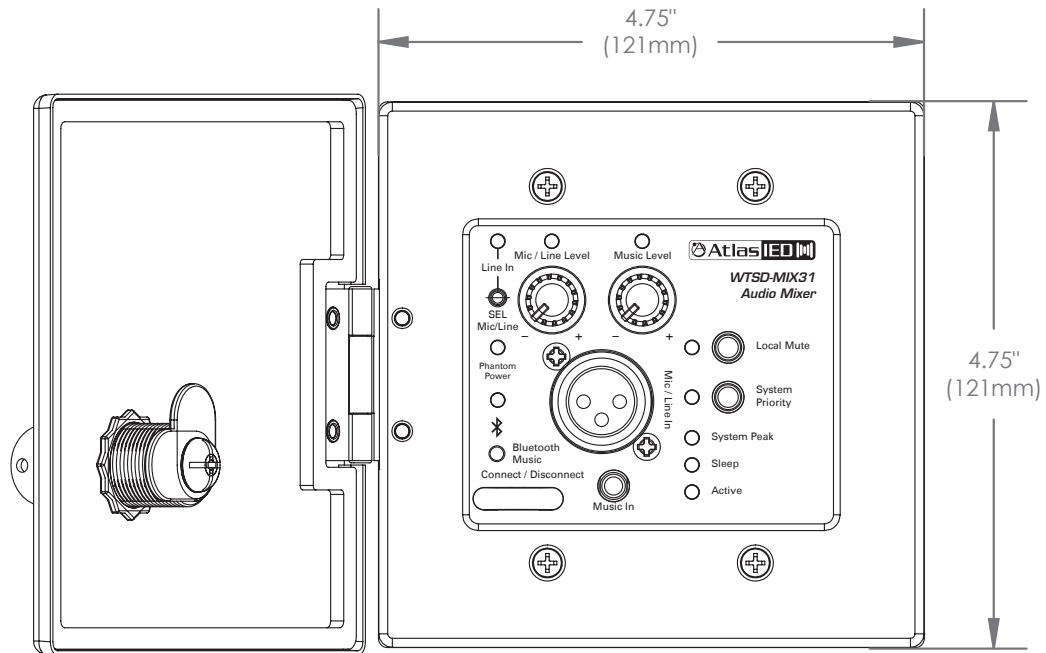
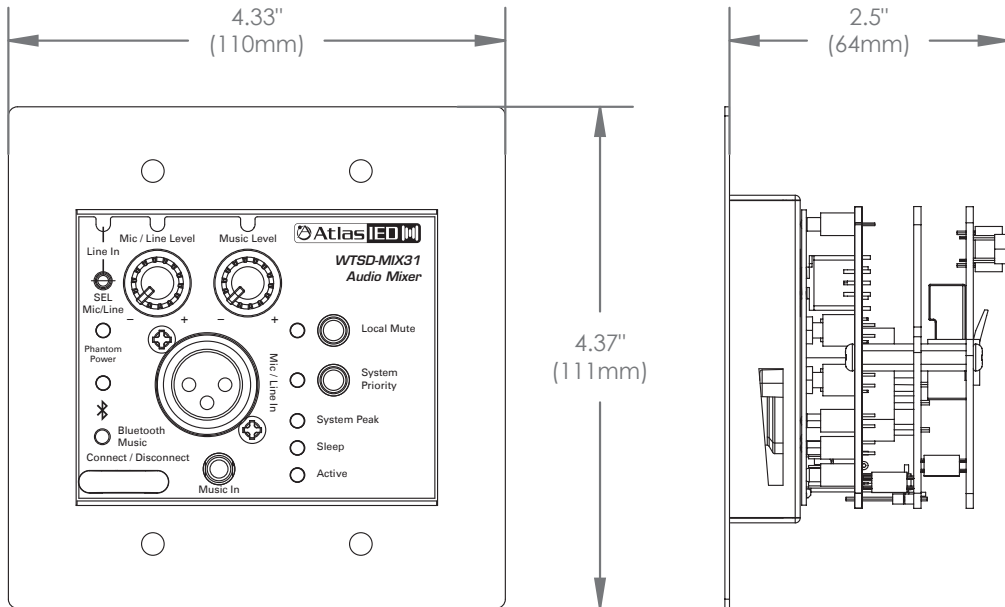
### Block Diagram



# WTSD-MIX31K

## Owner's Manual

### Dimensional Drawings



Dimensions with Optional WTSD-COVER

# WTSD-MIX31K

## *Owner's Manual*

### **FCC Statement**

#### **Federal Communication Commission Interference Statement**

This equipment has been tested and found to comply with the limits for a Class B digital device, pursuant to Part 15 of the FCC Rules. These limits are designed to provide reasonable protection against harmful interference in a residential installation. This equipment generates, uses, and can radiate radio frequency energy and, if not installed and used in accordance with the instructions, may cause harmful interference to radio communications. However, there is no guarantee that interference will not occur in a particular installation. If this equipment does cause harmful interference to radio or television reception, which can be determined by turning the equipment off and on, the user is encouraged to try to correct the interference by one or more of the following measures:

- Reorient or relocate the receiving antenna.
- Increase the separation between the equipment and receiver.
- Connect the equipment into an outlet on a circuit different from that to which the receiver is connected.
- Consult the dealer or an experienced radio/TV technician for help.

#### **FCC Caution:**

This device complies with Part 15 of the FCC Rules. Operation is subject to the following two conditions: (1) This device may not cause harmful interference, and (2) this device must accept any interference received, including interference that may cause undesired operation.

#### **Non-modification Statement:**

Changes or modifications not expressly approved by the party responsible for compliance could void the user's authority to operate the equipment.

### **Radiation Exposure Statement**

This equipment complies with FCC radiation exposure limits set forth for an uncontrolled environment. This equipment should be installed and operated with minimum distance 20cm between the radiator and your body.



# WTSD-MIX31K

## *Owner's Manual*

### **ISED Statement**

This device complies with Industry Canada licence-exempt RSS standard(s). Operation is subject to the following two conditions:

- (1) This device may not cause interference, and
- (2) This device must accept any interference, including interference that may cause undesired operation of the device.

### **Radiation Exposure Statement**

This equipment complies with Canada radiation exposure limits set forth for an uncontrolled environment. This equipment should be installed and operated with minimum distance 20cm between the radiator and your body.

### **Déclaration ISED**

Le présent appareil est conforme aux CNR d'Industrie Canada applicables aux appareils radio exempts de licence. L'exploitation est autorisée aux deux conditions suivantes:

- (1) l'appareil ne doit pas produire de brouillage, et
- (2) l'utilisateur de l'appareil doit accepter tout brouillage radioélectrique subi, même si le brouillage est susceptible d'en compromettre le fonctionnement.

### **Déclaration d'exposition aux radiations**

Cet équipement est conforme Canada limites d'exposition aux radiations dans un environnement non contrôlé. Cet équipement doit être installé et utilisé à distance minimum de 20cm entre le radiateur et votre corps.

## Limited Warranty

All products manufactured by AtlasIED are warranted to the original dealer / installer, industrial or commercial purchaser to be free from defects in material and workmanship and to be in compliance with our published specifications, if any. This warranty shall extend from the date of purchase for a period of three years on all AtlasIED products, including SOUNDOLIER brand, and ATLAS SOUND brand products except as follows: one year on electronics and control systems; one year on replacement parts; and one year on Musician Series stands and related accessories. Additionally, fuses and lamps carry no warranty. AtlasIED will solely at its discretion, replace at no charge or repair free of charge defective parts or products when the product has been applied and used in accordance with our published operation and installation instructions. We will not be responsible for defects caused by improper storage, misuse (including failure to provide reasonable and necessary maintenance), accident, abnormal atmospheres, water immersion, lightning discharge, or malfunctions when products have been modified or operated in excess of rated power, altered, serviced or installed in other than a workman like manner. The original sales invoice should be retained as evidence of purchase under the terms of this warranty. All warranty returns must comply with our returns policy set forth below. When products returned to AtlasIED do not qualify for repair or replacement under our warranty, repairs may be performed at prevailing costs for material and labor unless there is included with the returned product(s) a written request for an estimate of repair costs before any nonwarranty work is performed. In the event of replacement or upon completion of repairs, return shipment will be made with the transportation charges collect.

EXCEPT TO THE EXTENT THAT APPLICABLE LAW PREVENTS THE LIMITATION OF CONSEQUENTIAL DAMAGES FOR PERSONAL INJURY, ATLASIED SHALL NOT BE LIABLE IN TORT OR CONTRACT FOR ANY DIRECT, CONSEQUENTIAL OR INCIDENTAL LOSS OR DAMAGE ARISING OUT OF THE INSTALLATION, USE OR INABILITY TO USE THE PRODUCTS. THE ABOVE WARRANTY IS IN LIEU OF ALL OTHER WARRANTIES INCLUDING BUT NOT LIMITED TO WARRANTIES OF MERCHANTABILITY AND FITNESS FOR A PARTICULAR PURPOSE.

AtlasIED does not assume, or does it authorize any other person to assume or extend on its behalf, any other warranty, obligation, or liability. This warranty gives you specific legal rights and you may have other rights which vary from state to state.

## Service

Should your WTSD-MIX31K require service, please contact the AtlasIED warranty department through the online warranty claim process.

### Online Warranty Claim Processes

1. Warranty submissions are accepted at: [https://www.atlasied.com/warranty\\_statement](https://www.atlasied.com/warranty_statement) where the type of return Warranty or Stock return can be selected.
2. Once selected, you will be prompted to enter your login credentials. If you do not have a login, register on the site. If already logged-in, navigate to this page by selecting "Support" and then "Warranty & Returns" from the top menu.
3. In order to file a Warranty Claim, you will need:
  - A. A copy of the invoice / receipt of the purchased item
  - B. Date of Purchase
  - C. The product name or SKU
  - D. The serial number for the item (if no serial number exists, enter N/A)
  - E. A brief description of the fault for the claim
4. Once all required fields are completed, select the "Submit Button." You will receive 2 emails:
  1. One with a confirmation of the submission
  2. One with a case# for your reference should you need to contact us.

Please allow 2-3 business days for a response with a Return Authorization (RA) number and further instructions.

AtlasIED Tech Support can be reached at 1-800-876-3333 or [atlasied.com/support](https://www.atlasied.com/support).

Visit our website at [www.AtlasIED.com](https://www.AtlasIED.com) to see other AtlasIED products.