

# WTSD-XLR4

## 2-Gang 4 Input XLR Passive Wall Plate



### Features

- 4 x XLR Inputs in a 2-Gang Standard Wall Plate Form
- Individual 3-Way Removable Connectors for Each XLR
- Strain Relief Tie-Down on PCB
- Provides XLR Mic / Line Inputs for WTSD-MIX41K
- Can Be Used to Add XLR Inputs to Any Balanced Audio Equipment
- 25' of 2-Conductor + Shield Hook Up Wire (3mm Diameter), Included
- Compatible with Indoor / Outdoor Security Cover, WTSD-COVER

### Applications

- School Multi-Purpose Rooms, Rally Areas
- Indoor / Outdoor Sports Complexes
- Hotel Ballrooms
- Community Multi-Use Facilities
- Industrial Facilities
- House of Worship Rooms

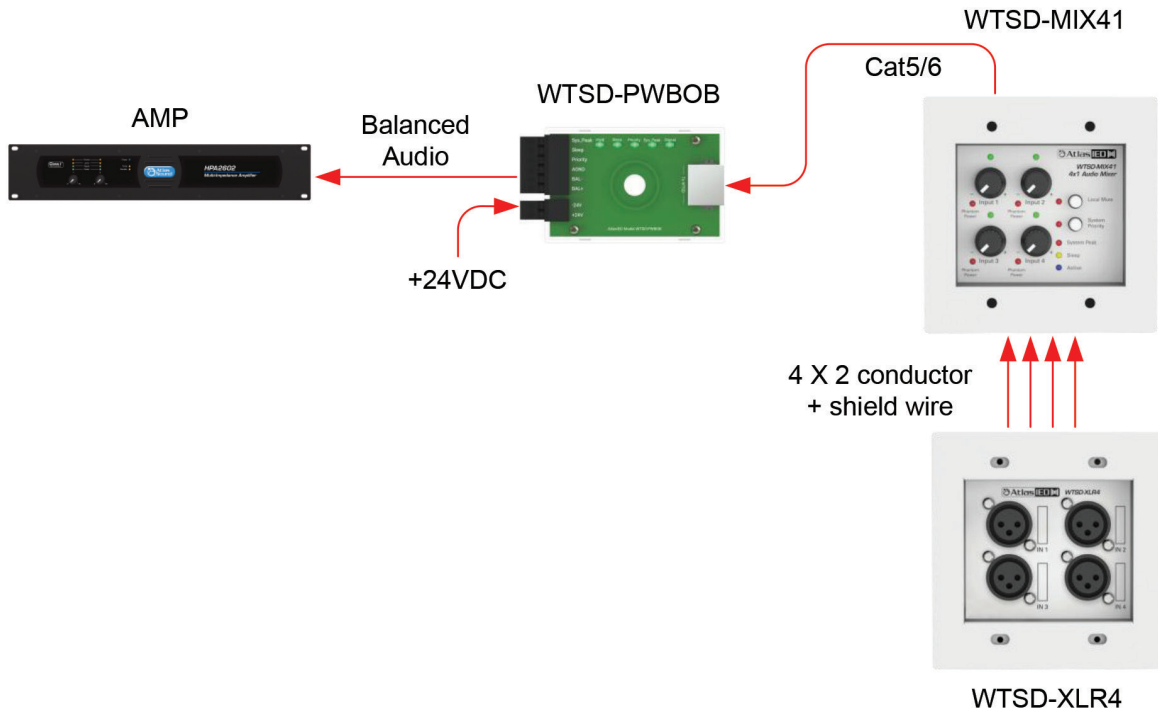
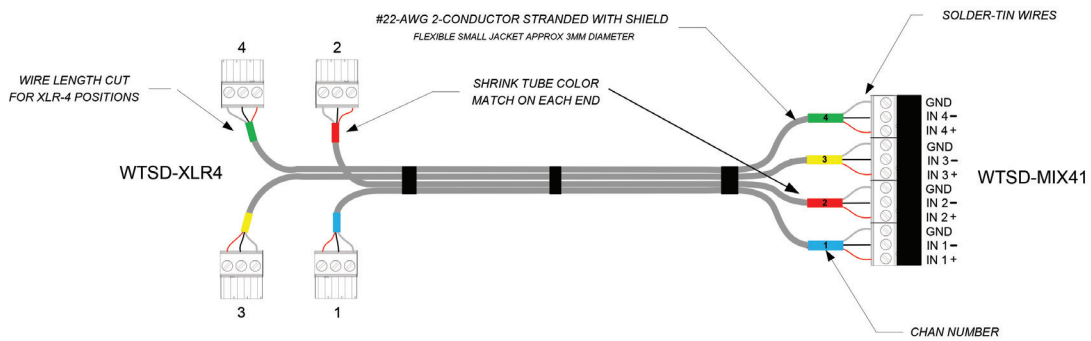
### General Description

The WTSD-XLR4 is a 2-gang, 4-input XLR passive wall plate designed to be used in conjunction with the WTSD-MIX41K. The WTSD-XLR4 can also be used as a stand-alone wall plate for any balanced mic / line system that requires a remote input plate. Each XLR has a 3-way removable connector (G – +) for terminating standard 2-conductor w/shield wire. The WTSD-XLR4 includes 25' of 2-conductor + shield hook up wire (3mm diameter). The WTSD-XLR4 can be used with the stainless steel WTSD-COVER in indoor / outdoor applications where a weather-resistant, security cover is required.

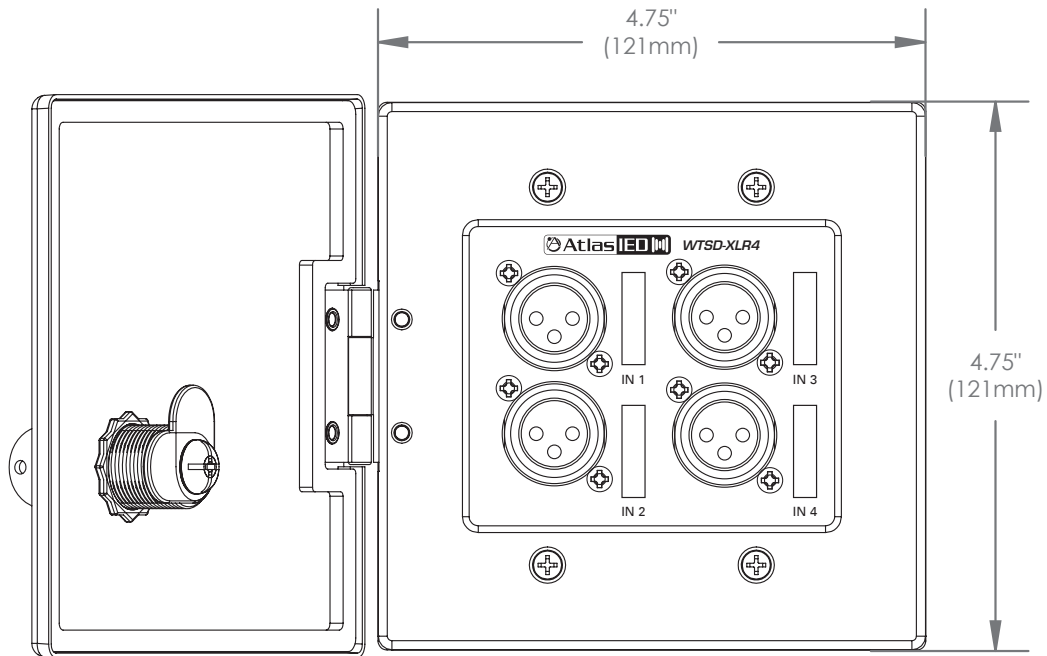
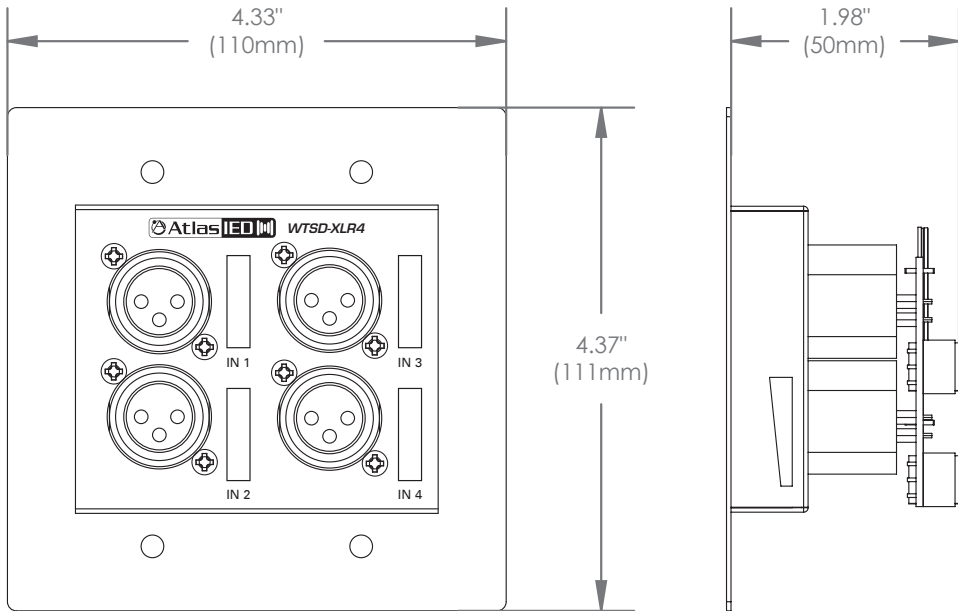
System	
Type	4 x XLR Passive Input Wall Plate in a 2-Gang Standard Frame
Inputs	
Input Type	Balanced Mic or Line
Connection	Panel Mount Female XLR, Qty 4
Impedance	Passive
Outputs	
Output Type	Pass-through Balanced Mic or Line, Qty 4
Connection	Removable 3 Position Captive Screw 3.5mm Spacing Euro-block
Ambient Operating Conditions	
Maximum Temperature	104°F / 40°C
Minimum Operating Temperature	N/A
Maximum Humidity	90%
Mounting	
Wall Plate	2-Gang Electrical Box (Fits Most Standard, See Approved List and Dimensions)
Mechanical	
Chassis Finish	White
Chassis Material	Steel
Product Dimensions (HxWxD)	4.37" x 4.34" x 1.98" (111mm x 110mm x 50mm)
Shipping Dimensions (HxWxD)	3.34" x 8.2" x 5.4" (85mm x 209mm x 138mm)
Unit Weight	0.53 lbs. (0.24kg)
Shipping Weight	1.3 lbs. (0.61kg)
Electrical Box Required	2-Gang, Deep Box Required, 2.6" Minimum Depth (Note 1)
Accessories	
Wiring	25' of 2-Conductor + Shield Hook Up Wire (3mm Diameter), Included
Screws	6/32 x 3/4" White Pan Head Screws, Included (Qty 4)
Optional Accessories	
WTSD-COVER	Locking, All Weather Stainless Steel
WTSD-MIX41	4x1 Mic / Line Wall Mount Mixer

**Note 1:** Electrical box requirements - For additional information refer to WTSD-MIX41 manual for recommended box types.

## Wiring the WTSD-XLR4 to a WTSD-MIX41



## Dimensional Drawings



Dimensions with Optional WTSD-COVER

Accessories

WTSD-COVER - Lockable Weather Resistant Stainless Steel Cover



Audio Control Panel

©2019 Atlas Sound LP. The Atlas "Circle A", Soundlier, and Atlas Sound are trademarks of Atlas Sound L.P. IED is a Registered Trademark of Innovative Electronic Designs LLC. All rights reserved. All other Trademarks are property of their respective owners. No endorsement is implied. Due to continual product development, specifications are subject to change without notice. ATSO06020 RevA 8/19

## Architect and Engineer Specifications

The WTSD-XLR4 shall be a 2-gang, 4-input XLR passive wall plate designed to be used in conjunction with the WTSD-MIX41K. The WTSD-XLR4 shall be capable of being used as a stand-alone wall plate for any balanced mic / line system that requires a remote passive 4-way XLR input plate. Each XLR shall have a label area for naming inputs. Each XLR shall have a 3-way removable connector (G – +) for terminating standard 2-conductor w/shield balanced line audio wire. The WTSD-XLR4 shall be compatible with the stainless steel WTSD-COVER to provide an indoor / outdoor weatherproof, security cover.