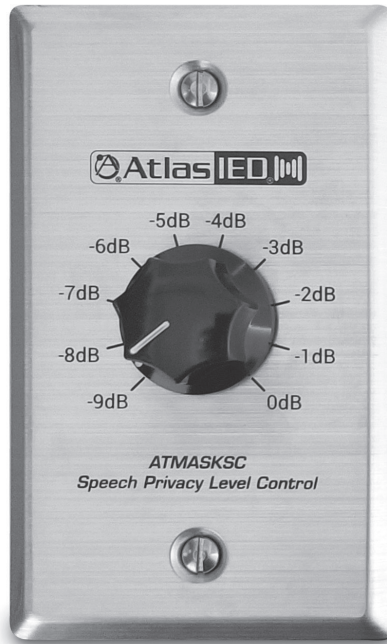


ATMASKSC

Precision, Plate Mounted Stepped Speech Privacy Attenuator



Features

- Designed to be Used with M1000A35
- 1dB Steps for Precision Sound Masking Settings
- 2 or 3 Conductor Interface Connection
- Works with Other 10kΩ VCA 2 or 3 Conductor Systems
- Matches Stainless Steel Standard Volume Wall Plate
- Maximum Tested Distance 500 ft, 22-Gauge Wire

Applications

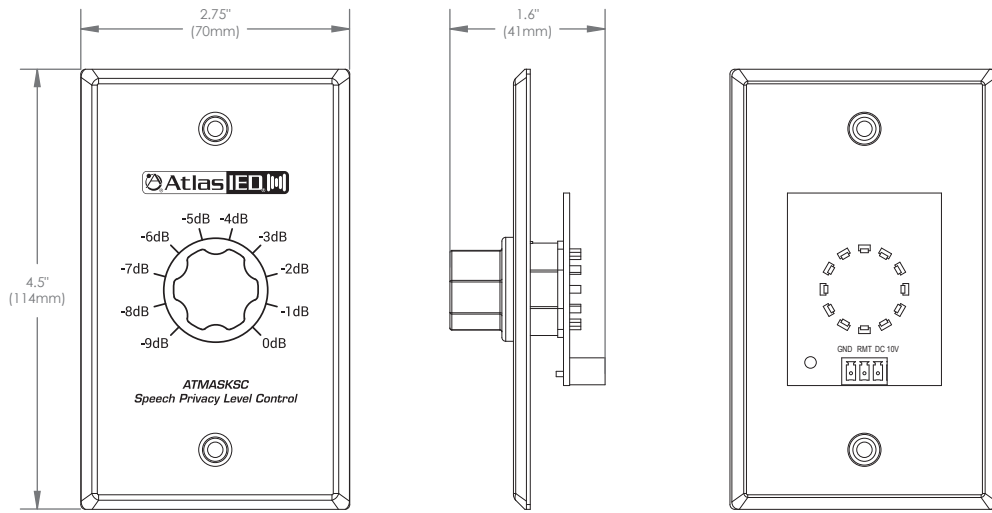
- Precise Level Control of Large Sound Masking Zones

General Description

The AtlasIED ATMASKSC is specially designed to be used with the M1000A35 Self-Contained Active Masking System where precision adjusting of level control is required. It employs a ten-position, non-shortng rotary switch without end-stop. The attenuation rate is 1dB per step from 0dB to -9dB.

System	
Type	Wall Plate Mounted Precision Stepped Attenuator for M1000A35
Total Attenuation	0dB to -9dB (It Does Not Turn Off the Audio)
Impedance	10kΩ
Mechanical	
Plate Size	1-Gang
Plate Type	Stainless Steel
Product Dimensions (HxWxD)	4.5" x 2.75" x 1.6" (114mm x 70mm x 41mm)
Shipping Dimensions (HxWxD)	15.35" x 10.63" x 10.04" (390mm x 270mm x 255mm)
Net Weight - lbs	0.16 lbs (0.074 kg)
Shipping Weight - lbs	9.48 lbs (4.3 kg)
Agency Approvals	
North America Agency	UL2043 when used with the M1000A35

Dimensional Drawings



Installation Diagram

