



ALA5TAW
Full Range Line Array Speaker System



ALA5TAW

Installation Instructions

Safety Instructions

Please read carefully before installing or operating.

- Read all instructions carefully
- Heed all warnings
- Assure that the speaker is securely mounted
- Always assure amplifier power is off before making any connections
- Keep instructions for future reference
- Should any questions arise after reading this document, please call AtlasIED Tech Support at 800-876-3333

Hearing Damage

CAUTION: All professional loudspeaker systems are capable of generating very high sound pressure levels. Use care with placement and operation to avoid exposure to excessive levels that can cause permanent hearing damage.

Suspension and Mounting

Installing speaker systems requires training and expertise. Improper speaker installation may result in injury, death, equipment damage, and legal liability. Installation must be carried out by fully qualified installers, in accordance with all required safety codes and standards at the place of installation.

Legal requirements for overhead installation vary by municipality, please consult the Building Inspector office before installing any product and thoroughly check any laws and bylaws prior to installation. Installers that lack the skills, training, and proper ancillary equipment to install a speaker system should not attempt to do so.

Installation

1. Run the wiring from the power amplifier to the location desired for mounting the ALA Series speaker.
2. Attach the wall bracket to the wall. Use a level to be certain that the wall bracket is straight. Secure the wall bracket to the wall. Be sure to use the appropriate wall anchors when attaching the bracket. Use all four screw holes for maximum integrity and safety.

Note: Hardware for attaching the wall bracket to the wall is not included.

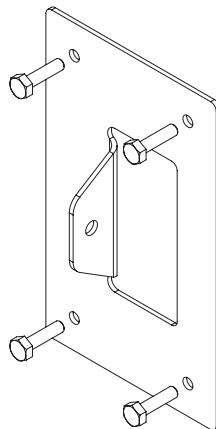


Fig. 1

ALA5TAW

Installation Instructions

3. Attach the short or medium length speaker bracket to the speaker sliding mount block. Use the short bracket for 0° to 17°. Use the medium bracket for 17° to 26°.
 - A. Position the speaker bracket over the sliding mount block as shown in Fig. 2a and 2b.
 - B. Insert the 100mm M8 bolt through the speaker bracket and the sliding mount block. Be sure to include the plain washers and one lock washer as shown.

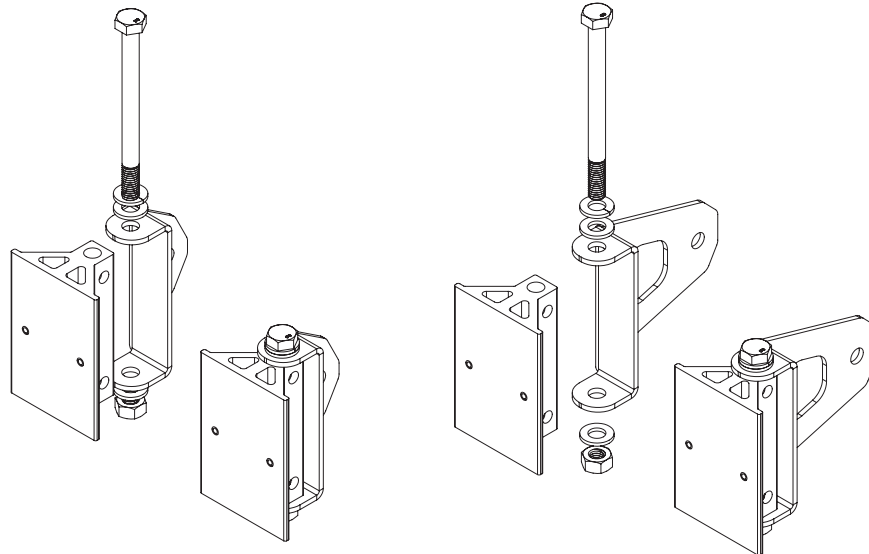


Fig. 2a and 2b (Sliding Mount Block shown not attached to speaker for clarity)

4. Attach the speaker bracket to the wall bracket.
 - A. Insert the 20mm M8 bolt through the speaker bracket, internal tooth lock washer, and the wall bracket as shown in Fig. 3a and 3b. Be sure to include the plain washers and one split ring lock washer as shown.
 - B. Adjust vertical and horizontal position of the speaker and torque the bolt sufficiently to hold position.

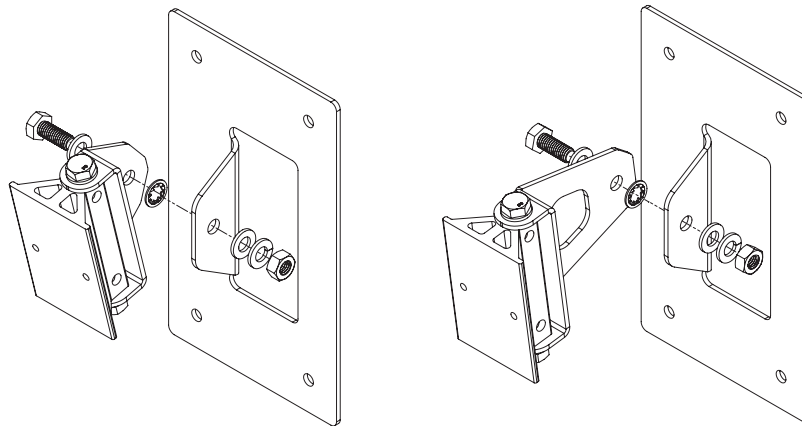


Fig. 3a and 3b (Sliding Mount Block shown not attached to speaker for clarity)

ALA5TAW

Installation Instructions

- Establish electrical connection. All models include a built-in, high efficiency 60 Watt 70.7V/100V transformer with 7.5, 15, 30, and 60 Watt taps as shown in Fig. 4.

Note: A removable jumper and additional pole on the terminal block is included for transformer operation. The jumper must be removed for low impedance (6Ω) direct coupled operation.

Connections are provided on the terminal for both transformer and low impedance connection. An NL4 Speakon® connector is included for low impedance (6Ω) direct coupled operation.

Note: When using the Speakon® input connection, the jumper must be removed from the barrier terminal.

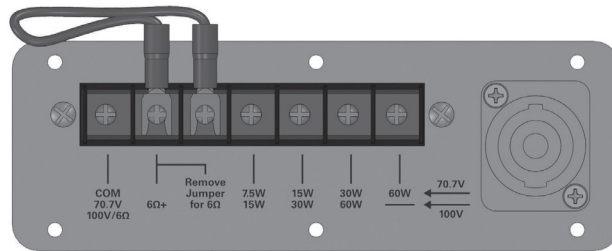
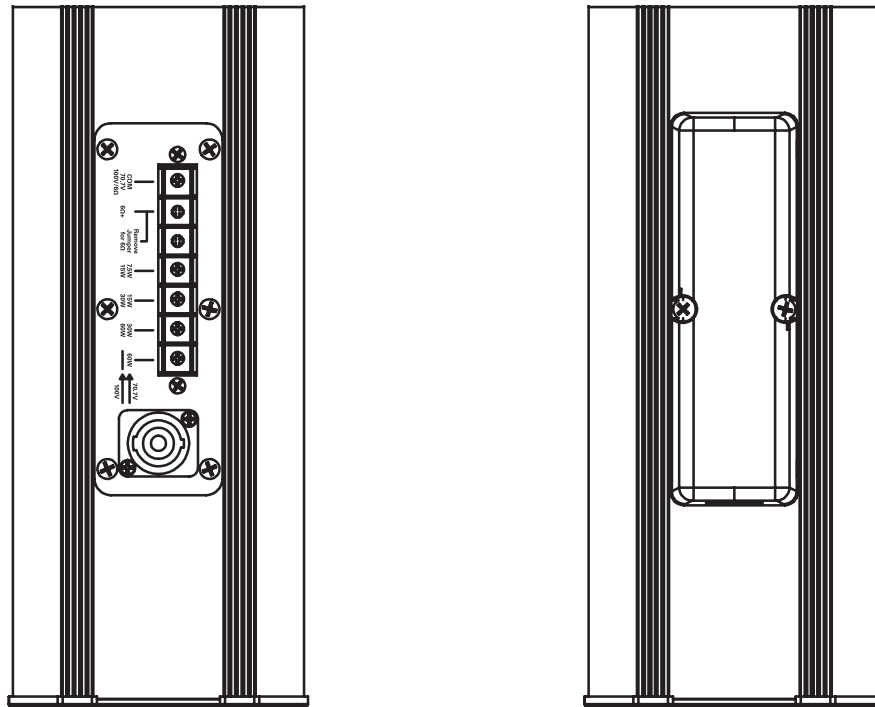


Fig. 4

- Use the two middle terminal plate screws to secure the terminal cover (included) to the terminal plate. All applications require an IP54 (min) rated, $\frac{3}{4}$ " (21mm) conduit or cable gland connector.



ALA5TAW

Installation Instructions

System	
Type	Full Range, Column Loudspeaker
Operation Mode	Non-Powered Passive
Operating Range (-10dB)	125Hz - 20kHz
Frequency Response (+/- 5dB)	137Hz - 20kHz
Input Sensitivity at 1W/4m EN54-24	78dB
Max Input Ratings (6Ω)	125 W Continuous, 250 W Program 27.4 Volts RMS, 54.8 Volts Peak
Transformer Taps - 70V	60W (81Ω), 30W (163Ω), 15W (326Ω), 7.5W (653Ω) and Low Impedance (6Ω)
Transformer Taps - 100V	60W (163Ω) RNP, 30W (326Ω), 15W (653Ω) and Low Impedance (6Ω)
Directivity Factor (Q)	9.3 @ 2kHz
Directivity Factor (DI)	9.68 @ 2kHz
Max SPL at 4m EN54-24 (Passive - 100V / 60W)	91dB (±3dB)
Recommended Signal Processing	125Hz High Pass Filter
Recommended Power Amplification	375W at 6Ω
Transducers	
LF Transducer Qty and Size	5 x 3"
LF Voice Coil Size	20mm
HF Transducer Qty and Size	2 x 22mm
HF Voice Coil Size	20mm
Maximum Output	116.8dB SPL (Peak 6Ω)
Nominal Impedance	6Ω
Minimum Impedance	4.8Ω @ 5.9kHz
Crossover Frequency	3500Hz
Enclosure	
Color	White (RAL-9016) or Black
Enclosure Material	Extruded Aluminum
Grille Material	Powder Coated Aluminum, White (RAL-9016) or Black
Baffle Material	Aluminum
Mount Material	Powder Coated CRS (Color Matches Enclosure)
Input Connection	Barrier Terminal For Transformer & 6Ω Inputs/ NL4 For 6Ω Input
Mounting / Rigging Provisions	Wall Mounting Hardware Provided
Ingress Protection EN54-24	IP33C
Logo	Silver on Black Removable
Product Dimensions (HxWxD)	16.61" x 4.61" x 5.43" (422mm x 117mm x 138mm)
Shipping Dimensions (HxWxD)	23.625" x 8.125" x 10" (600mm x 206mm x 254mm)
Net Weight	Unit w/ Wall Mount Bracket= 11.3 lbs. (5.13kg)
Shipping Weight	15.4 lbs (6.98kg)
Warranty Coverage	
Warranty Period	5 Years

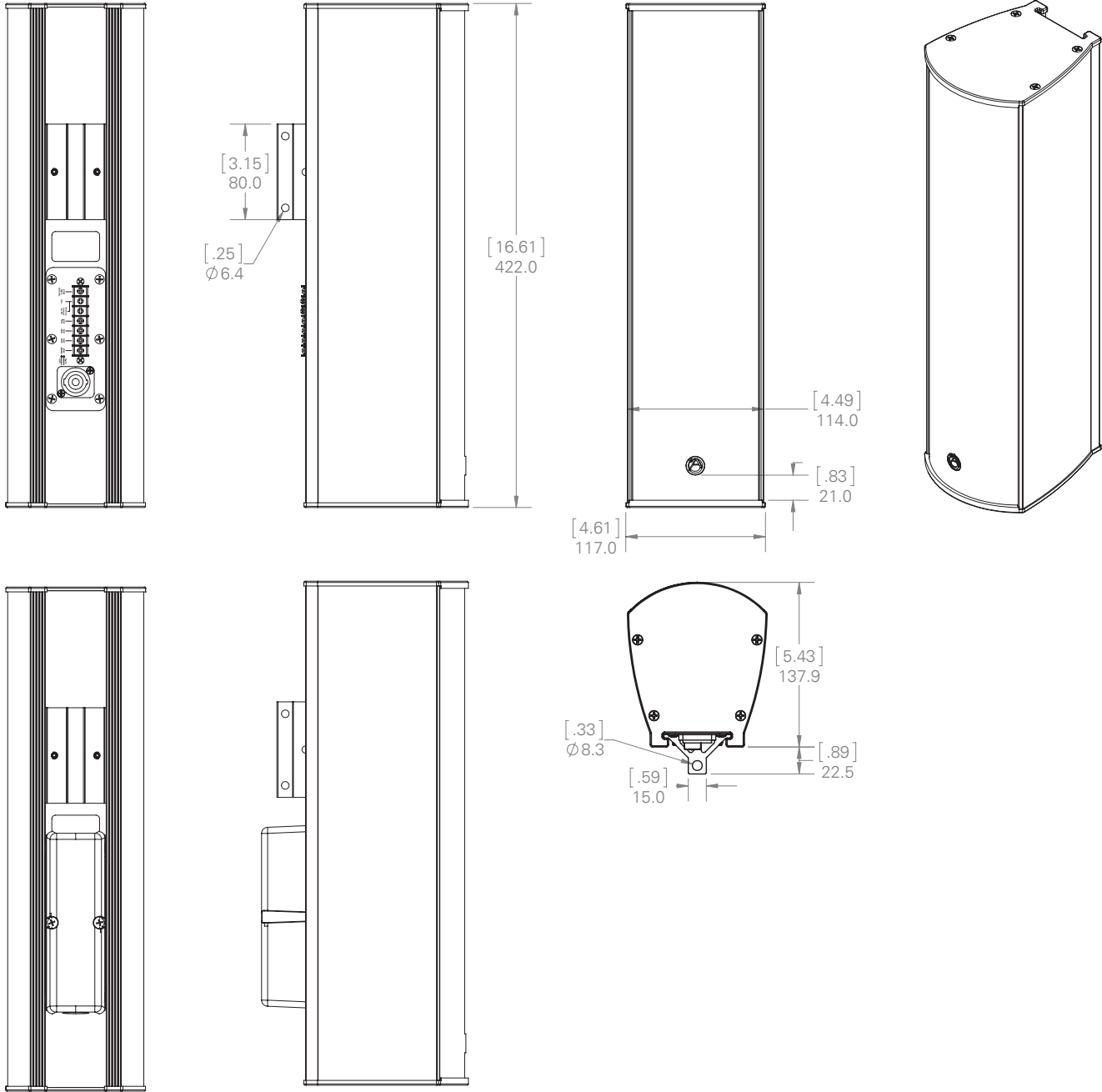
NOTES:

1. Power: All power figures are calculated using the rated nominal impedance.
2. Frequency response and sensitivity are free field measurements.
3. Recommended power amplification is 1.5X program power.
4. RNP - Rated noise power

ALA5TAW

Installation Instructions

Dimensional Drawings

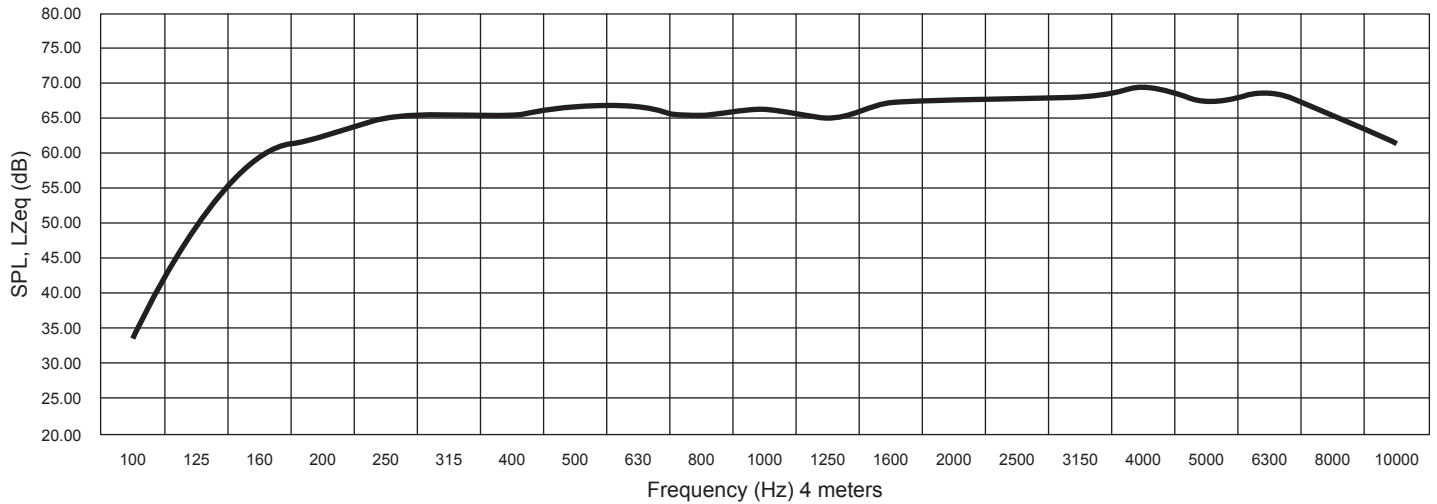


ALA5TAW

Installation Instructions

Frequency Response

EN54-24



Horizontal (Figure A)	Rotated right from the center axis of the speaker (6dB drop angle)	Rotated left from the center axis of the speaker (6dB drop angle)
Center Octave Band (Hz)		
500	119°	120°
1000	88°	90°
2000	65°	70°
4000	78°	76°

Vertical (Figure B)	Rotated right from the center axis of the speaker (6dB drop angle)	Rotated left from the center axis of the speaker (6dB drop angle)
Center Octave Band (Hz)		
500	57°	59°
1000	26°	32°
2000	12°	18°
4000	15°	22°

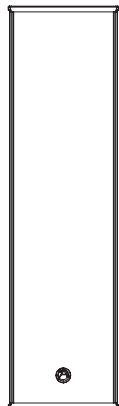


Figure A



Figure B

Reference Axis - A horizontal line running through the center of the speaker, from back to front.

Reference Plane - The facial plane of the speaker

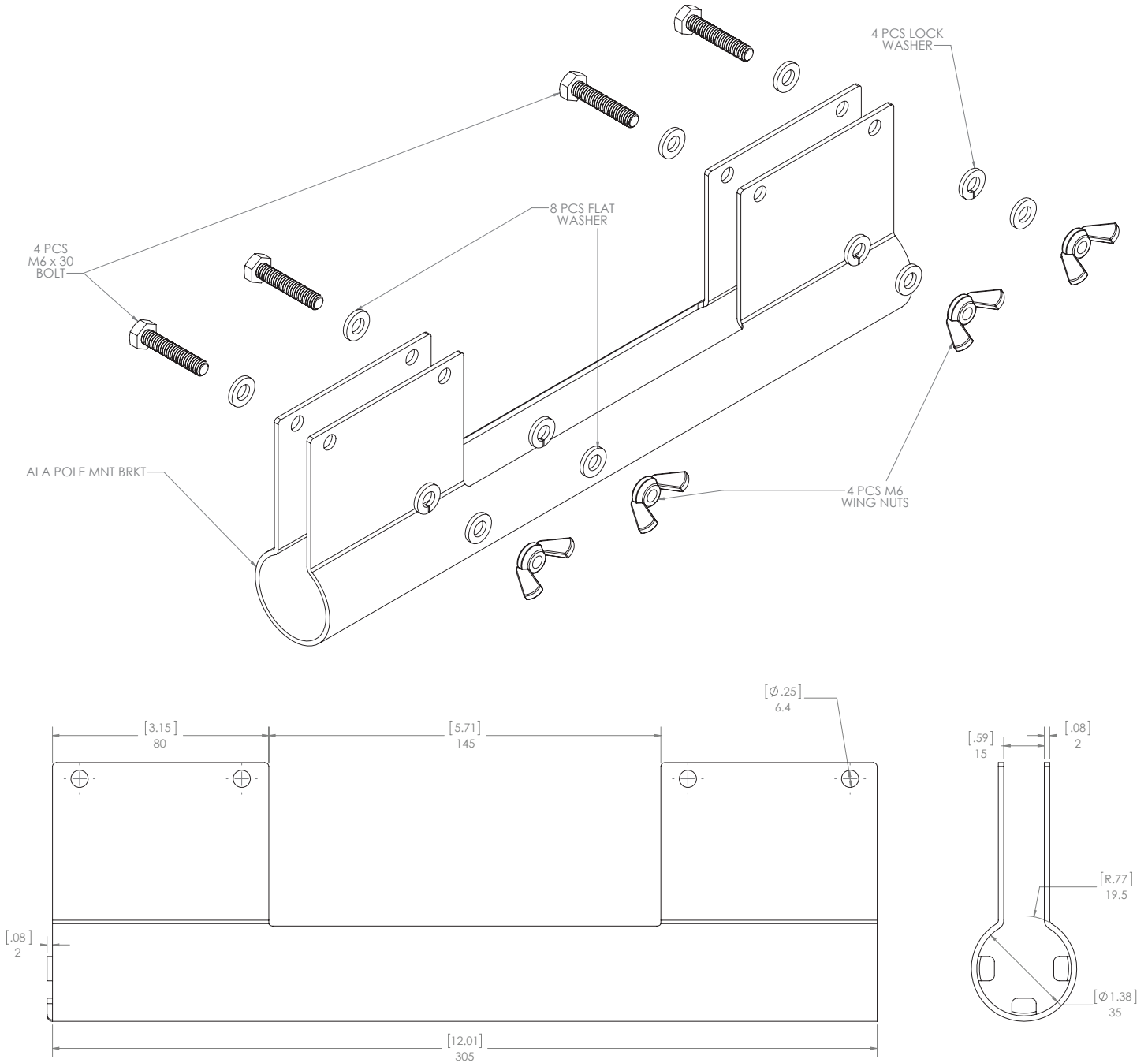
Reference Point - The intersecting point of the Reference Axis and Reference Plane

ALA5TAW

Installation Instructions

Optional Accessories

ALAPMK - Pole Mount Kit (Not EN5-24 Evaluated)



Limited Warranty

All products manufactured by AtlasIED are warranted to the original dealer / installer, industrial or commercial purchaser to be free from defects in material and workmanship and to be in compliance with our published specifications, if any. This warranty shall extend from the date of purchase for a period of three years on all AtlasIED products, including SOUNDOLIER brand, and ATLAS SOUND brand products except as follows: one year on electronics and control systems; one year on replacement parts; and one year on Musician Series stands and related accessories. Additionally, fuses and lamps carry no warranty. AtlasIED will solely at its discretion, replace at no charge or repair free of charge defective parts or products when the product has been applied and used in accordance with our published operation and installation instructions. We will not be responsible for defects caused by improper storage, misuse (including failure to provide reasonable and necessary maintenance), accident, abnormal atmospheres, water immersion, lightning discharge, or malfunctions when products have been modified or operated in excess of rated power, altered, serviced or installed in other than a workman like manner. The original sales invoice should be retained as evidence of purchase under the terms of this warranty. All warranty returns must comply with our returns policy set forth below. When products returned to AtlasIED do not qualify for repair or replacement under our warranty, repairs may be performed at prevailing costs for material and labor unless there is included with the returned product(s) a written request for an estimate of repair costs before any nonwarranty work is performed. In the event of replacement or upon completion of repairs, return shipment will be made with the transportation charges collect.

EXCEPT TO THE EXTENT THAT APPLICABLE LAW PREVENTS THE LIMITATION OF CONSEQUENTIAL DAMAGES FOR PERSONAL INJURY, ATLASIED SHALL NOT BE LIABLE IN TORT OR CONTRACT FOR ANY DIRECT, CONSEQUENTIAL OR INCIDENTAL LOSS OR DAMAGE ARISING OUT OF THE INSTALLATION, USE OR INABILITY TO USE THE PRODUCTS. THE ABOVE WARRANTY IS IN LIEU OF ALL OTHER WARRANTIES INCLUDING BUT NOT LIMITED TO WARRANTIES OF MERCHANTABILITY AND FITNESS FOR A PARTICULAR PURPOSE.

AtlasIED does not assume, or does it authorize any other person to assume or extend on its behalf, any other warranty, obligation, or liability. This warranty gives you specific legal rights and you may have other rights which vary from state to state.

Service

Should your ALA5TAW require service, please contact the AtlasIED warranty department through the online warranty claim process.

Online Warranty Claim Processes

1. Warranty submissions are accepted at: https://www.atlasied.com/warranty_statement where the type of return Warranty or Stock return can be selected.
2. Once selected, you will be prompted to enter your login credentials. If you do not have a login, register on the site. If already logged-in, navigate to this page by selecting "Support" and then "Warranty & Returns" from the top menu.
3. In order to file a Warranty Claim, you will need:
 - A. A copy of the invoice / receipt of the purchased item
 - B. Date of Purchase
 - C. The product name or SKU
 - D. The serial number for the item (if no serial number exists, enter N/A)
 - E. A brief description of the fault for the claim
4. Once all required fields are completed, select the "Submit Button." You will receive 2 emails:
 1. One with a confirmation of the submission
 2. One with a case# for your reference should you need to contact us.

Please allow 2-3 business days for a response with a Return Authorization (RA) number and further instructions.

AtlasIED Tech Support can be reached at 1-800-876-3333 or [atlasied.com/support](https://www.atlasied.com/support).

Visit our website at www.AtlasIED.com to see other AtlasIED products.

A copy of the DoP can be found at www.AtlasIED.com/ALA5TAW