

IPS-VOI

Indoor / Outdoor Vandal Proof Weather Resistant SIP Intercom Station



Features

- IP65 Rated
- Supports SRST (Survivable Remote Site Telephony)
- Streamlined Case Design
- PoE 802.3af Enabled
- SIP Compliant
- Adaptive Full-Duplex Voice Operation
- Network Web Management
- Network Adjustable Speaker Volume and Microphone Sensitivity
- Network Downloadable Firmware
- Doubles as a Paging Speaker
- Dry Relay Contact for Auxiliary Control (Controls External Power)
- Peer-To-Peer Capable
- Door Closure and Tamper Alert Signal
- Optional Security Torx Screws with Driver Kit

General Description

AtlasIED IPS-VOI indoor / outdoor vandal proof, weather resistant SIP intercom stations with call-in button leverage the VoIP communication solution to provide signaling and talkback in environments that are susceptible to damage from abuse, moisture, corrosion, dust, vibration and extreme temperature.

Applications

AtlasIED IPS-VOI registers as a communication endpoint directly to a SIP based Communications System to provide signaling and talkback in areas such as guard gates, banks or financial institutions, distribution centers, manufacturing warehouses, correctional institutions, and detention facilities while leveraging the WAN/LAN Network Architecture.

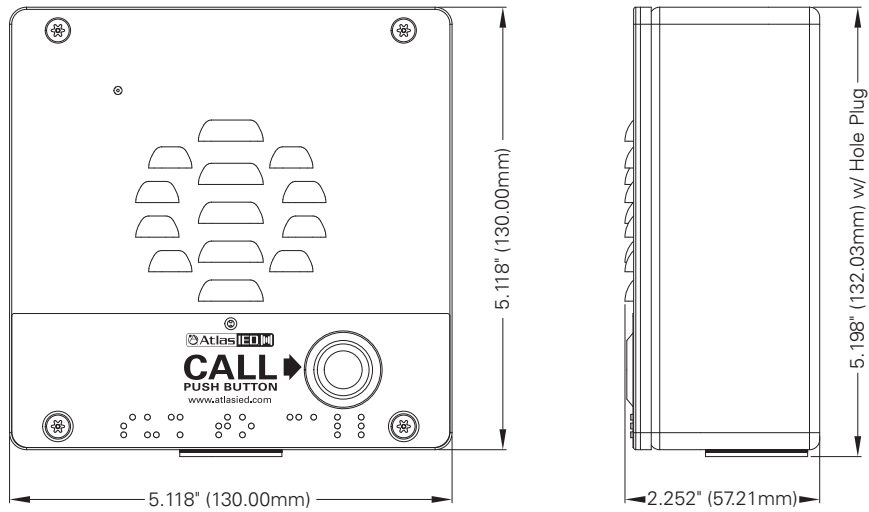
When used within a Cisco Environment, these same VoIP intercom stations from AtlasIED can join Cisco's Unified Survivable Remote Site Telephony (SRST) as supported devices within SRST endpoint architecture. Cisco's SRST provides remote location call-processing redundancy when access to the centralized Cisco Unified Communications Manager is interrupted because of a WAN outage. The ability to extend LAN communication between any combination of phones and speakers with visual notifications is particularly critical during an emergency, which may be the actual cause of the WAN outage.

Ideal for Corporate Applications, Education Institutions, Entertainment Complexes, Industrial Facilities, Government Buildings, Healthcare Facilities, Houses of Worship, Transportation Hubs; anywhere the need for critical alerts/public address exists and a single enterprise-class communications platform is preferred.

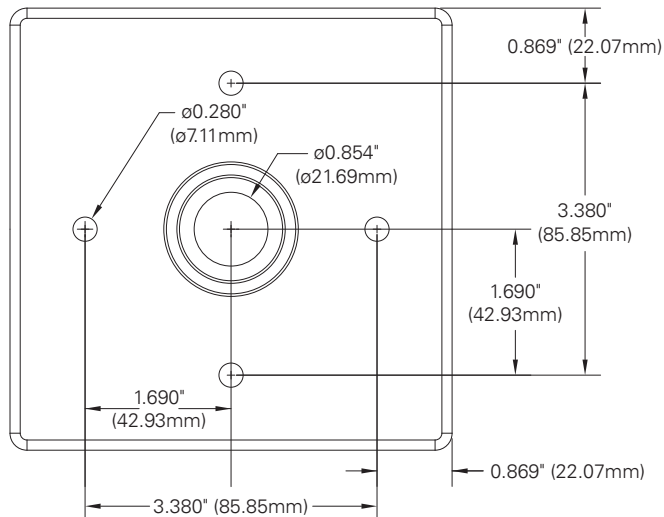
System	
Type	Indoor / Outdoor Vandal Proof Weather Resistant SIP Intercom Station
Ethernet I/F	10/100 Mbps
Protocol	SIP RFC 3261 Compatible
Power Input	PoE 802.3af Compliant or +8 to +12VDC @ 1000mA Regulated Power Supply
Speaker Output	1 Watt Peak Power
On-Board Relay	1A at 30 VDC
Operating Temperature	-10° to 50° C (14° to 122° F)
Payload Types	G711, A-law and μ -law
Regulatory Compliance	FCC Class A, UL 60950
Mechanical	
Product Dimensions (HxWxD)	5.12" x 5.12" x 2.25" (130mm x 130mm x 57mm)
Net Weight - lbs	2.0 lbs. (0.90 kg)
Shipping Weight - lbs	3.0 lbs. (1.36 kg)
Warranty Coverage	
Warranty Period	1 Year Limited

©2022 Atlas Sound L.P. The Atlas "Circle-A", Soundolier, and Atlas Sound are trademarks of Atlas Sound L.P. IED is a Registered Trademark of Innovative Electronic Designs LLC. All rights reserved. All other Trademarks are property of their respective owners. No endorsement is implied. Due to continual product development, specifications are subject to change without notice. ATIS005349 RevD 11/22

Dimensional Drawings

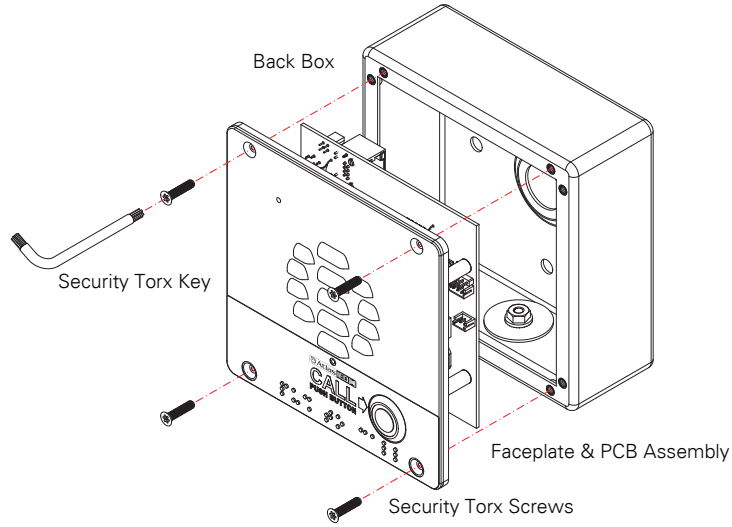


Dimensions (Rear View)

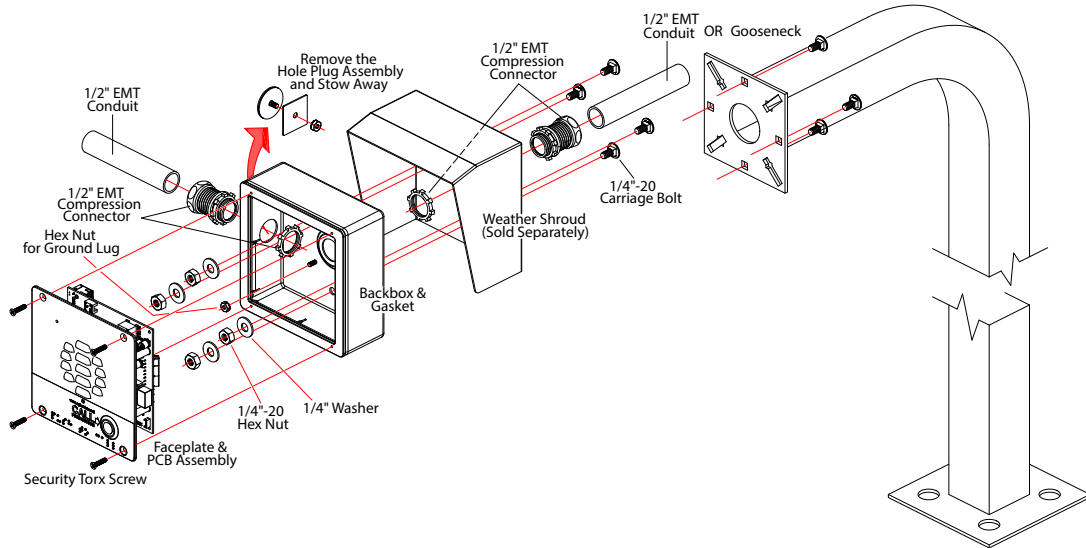


Assembly

Mounting



Conduit / Gooseneck Mounting



©2022 Atlas Sound L.P. The Atlas "Circle-A", Soundolier, and Atlas Sound are trademarks of Atlas Sound L.P. IED is a Registered Trademark of Innovative Electronic Designs LLC. All rights reserved. All other Trademarks are property of their respective owners. No endorsement is implied. Due to continual product development, specifications are subject to change without notice. ATIS005349 RevD 11/22