

Q408 Series

Enclosures for 8" Loudspeakers



Q408



QS408

Features

- Welded CRS Construction
- Fiberglass Inlay for Improved Performance
- Available in Both Round and Square Models

Applications

The "Q" Series enclosures are designed to enhance the audio quality of music and voice reproduction in professional quality 8" distributed sound systems. These 1ft³. enclosures are recommended for use in retail outlets, hotels, lounges, convention centers, meeting rooms, recreation and performing art centers, and for applications where quality sound reinforcement is desired.

General Description

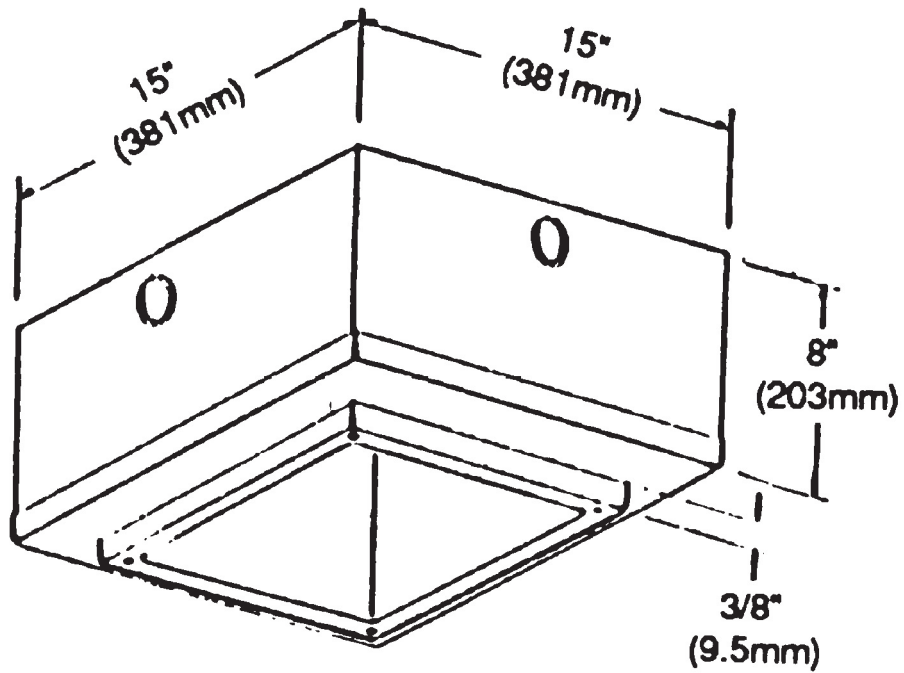
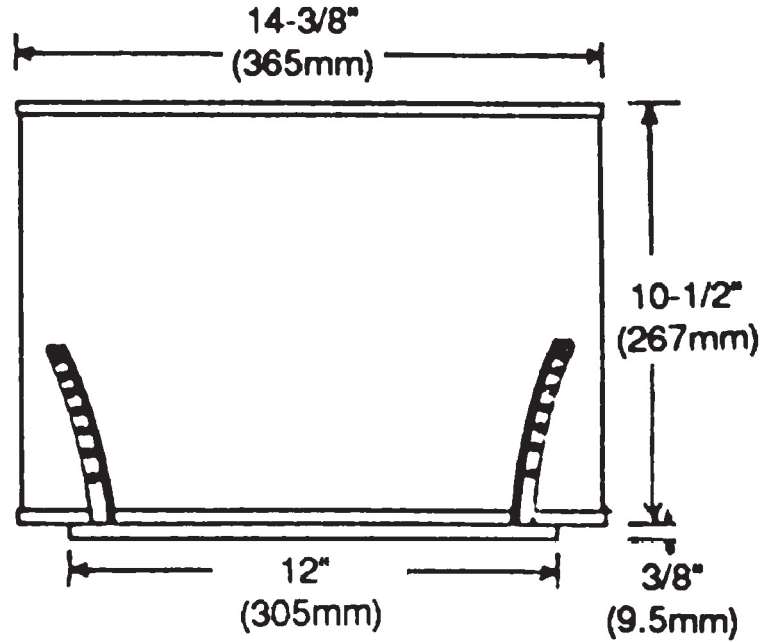
Model Q408 and QS408 are welded steel protective enclosures having a volume of 1ft³. (0.028m³). The interior is undercoated to eliminate metallic resonance and is furnished with 1½" (38mm) thick fiberglass with a 1½" lb./ ft³. density. The large volume of these enclosures improves the low frequency response of the system while the fiberglass controls undesirable resonances in the high end of the frequency spectrum.

Model Q408 is a cylindrical enclosure and model QS408 is square. Both models incorporate a plaster flange and have provisions for mounting a variety of architecturally pleasing AtlasIED grilles. Enclosures are designed for use with standard 8" (203mm) loudspeakers. Finish is galvanized cold rolled steel.

System	
Type	8" Q Series Enclosure
Internal Volume	1ft ³ (0.028m ³)
Baffle Compatibility	
Q408	G22-8, 51-8, 60-8(W), VP60-R, 61-8W, 62-8, 63-8, 67-8(W), 68-8W, 170-8, EQ61, EQ164, M222(W), P900
QS408	164-8A
Mechanical	
Speaker Size	8" (203mm)
Chassis Finish	Galvanized Cold Rolled Steel
Product Dimensions (HxWxD)	Q408: 14.375" x 10.5" (365mm x 267mm) QS408: 15" x 15" x 8" (381mm x 381mm x 203mm)
Unit Weight	7 lbs. (3kg)
Shipping Weight	Q408: 8.33 lbs. (3.78kg) QS408: 8.66 lbs. (3.93kg)

©2019 Atlas Sound LP. The Atlas "Circle A", Soundlier, and Atlas Sound are trademarks of Atlas Sound L.P. IED is a Registered Trademark of Innovative Electronic Designs LLC. All rights reserved.
 All other Trademarks are property of their respective owners. No endorsement is implied. Due to continual product development, specifications are subject to change without notice. ATSO04085 Rev.C 12/19

Dimensional Drawings



©2019 Atlas Sound LP. The Atlas "Circle A", Soundolier, and Atlas Sound are trademarks of Atlas Sound L.P. IED is a Registered Trademark of Innovative Electronic Designs LLC. All rights reserved. All other Trademarks are property of their respective owners. No endorsement is implied. Due to continual product development, specifications are subject to change without notice. ATSO04085 RevC 12/19

Architect and Engineer Specifications

The metal enclosure shall be AtlasIED Model Q408, QS408 or approved equal. Enclosure shall be of welded construction and shall have a volume of 1ft³ (0.028m³). Interior of enclosure shall be undercoated and lined with 1½" (38mm) thick fiberglass with a 1½" lb/ft³ density.

Enclosure shall have four combination ½" - ¾" - 1" (13mm - 19mm - 25mm) knockouts and shall incorporate a plaster flange for mounting AtlasIED Loudspeaker baffle model _____ or approved equal. Enclosure shall be galvanized cold rolled steel.