

MO-2

25-Watt Concealed-Mounting Loudspeaker



Features

- Heavy-Duty Loudspeaker with Optimum Voice and Signal Intelligibility for Industrial, Marine, Military, and Vehicular Applications
- Impact and Environment-Resistant Construction for Dependable Indoor / Outdoor Use
- U.S.-Made Compression Driver Assures High Reliability
- Specifically Designed for Surface or Concealed Mounting

Applications

Utilize loudspeaker Model MO-2 for signal transmission in intercom / talkback, electro-acoustic warning, CB, transceiver, and public address systems in marine, vehicular, military, service, and processing facilities. Unit is ideal for concealed mounting or where minimum aerodynamic obstruction is desired. Model MO-2 is engineered to withstand demanding environmental elements as produced in mining, steel, and chemical processing, oil exploration, power generation, and railroad facilities.

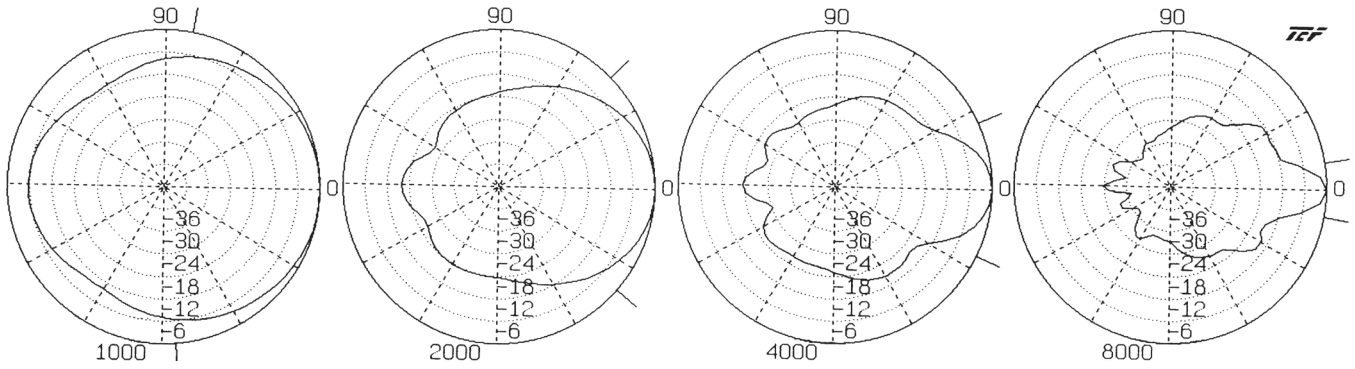
General Description

Compact, double re-entrant unit with platform base is constructed of heavy-gauge, die cast aluminum to minimize potential damage caused by vibration, shock, impact, dust, wide temperature variations, high humidity, salt water, and other rigorous conditions. Its integral compression driver provides optimum efficiency and signal intelligibility. Model MO-2 also assures superior sensitivity when used as a microphone for two-way intercommunication.

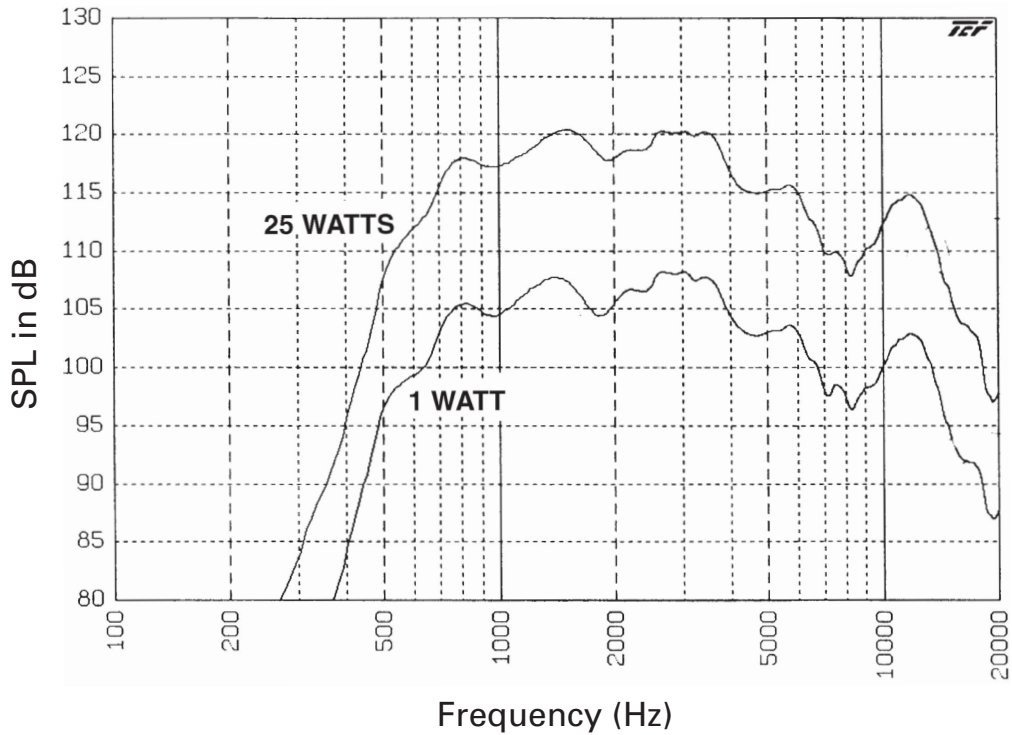
System	
Type	Compact Concealed-Mounting Loudspeaker
Power Rating	25 Watts
Frequency Response (+/- 5dB)	550Hz - 13.5kHz
Input Sensitivity at 1W/1m	108dB
Dispersion Angle	85° (-6dB, 2kHz Octave Band)
Impedance	16Ω
Enclosure	
Finish	Baked Grey Epoxy
Enclosure Material	Die Cast Aluminum
Product Dimensions (HxWxD)	8" x 6.625" x 4.19" (203mm x 168mm x 106mm)
Shipping Dimensions (HxWxD)	5.5" x 7.25" x 9.5" (140mm x 184mm x 241mm)
Net Weight	4.4 lbs (2.0kg)
Shipping Weight	5 lbs (2.3kg)
Warranty Coverage	
Warranty Period	5 Years

©2021 Atlas Sound L.P. The Atlas "Circle-A", Soundolier, and Atlas Sound are trademarks of Atlas Sound L.P. IED is a Registered Trademark of Innovative Electronic Designs LLC. All rights reserved. All other Trademarks are property of their respective owners. No endorsement is implied. Due to continual product development, specifications are subject to change without notice. ATSO02882 RevF 1/21

Polars Are Normalized To Zero On Axis (-6dB)

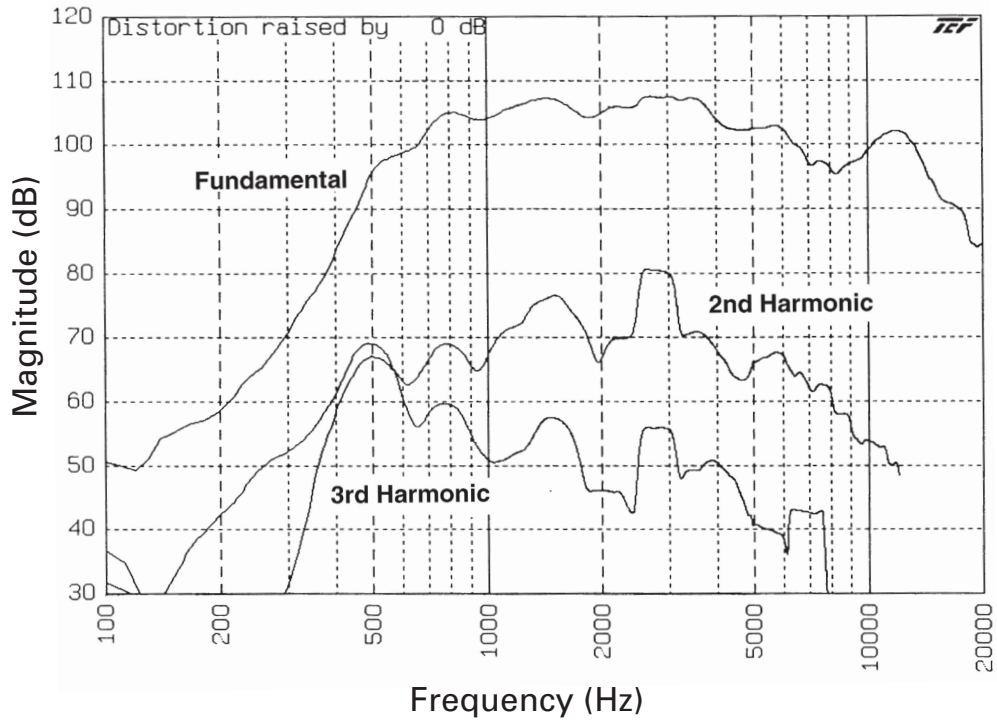


Frequency Response

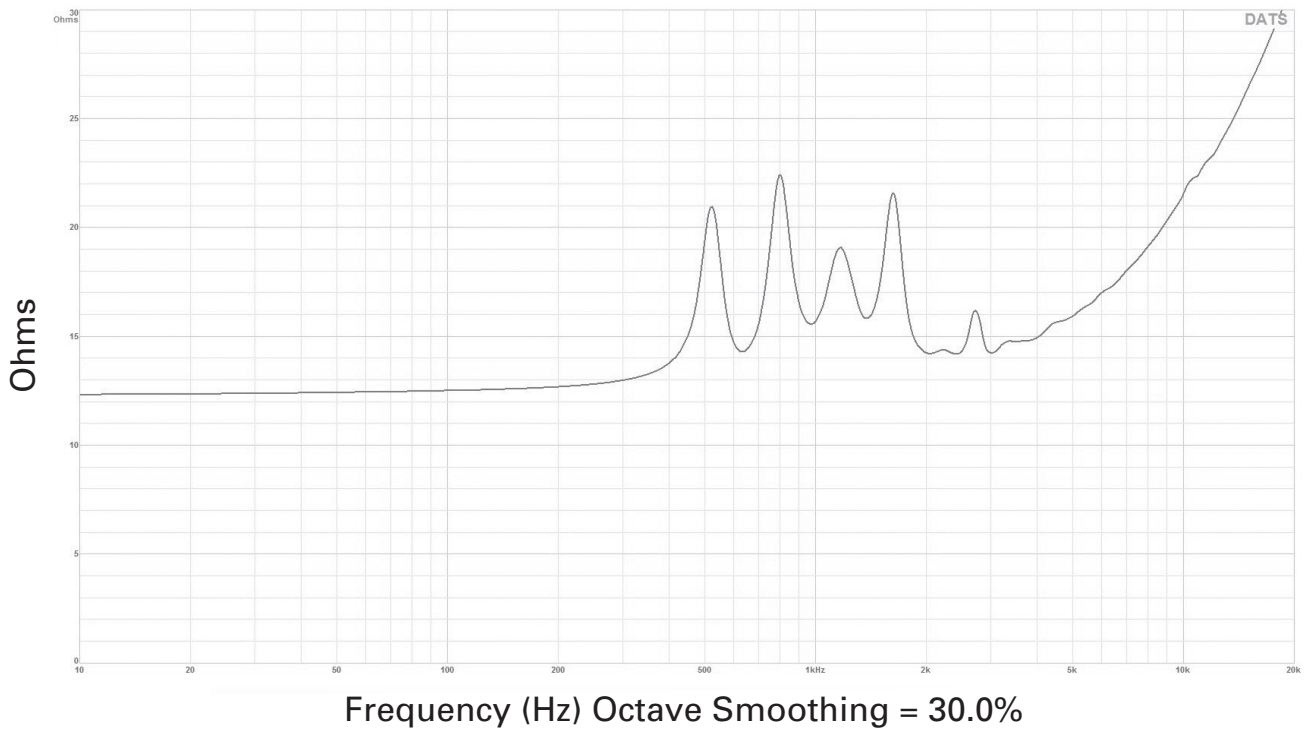


©2021 Atlas Sound L.P. The Atlas "Circle-A", Soundolier, and Atlas Sound are trademarks of Atlas Sound L.P. IED is a Registered Trademark of Innovative Electronic Designs LLC. All rights reserved. All other Trademarks are property of their respective owners. No endorsement is implied. Due to continual product development, specifications are subject to change without notice. ATIS002882 Rev.F 1/21

Harmonic Distortion

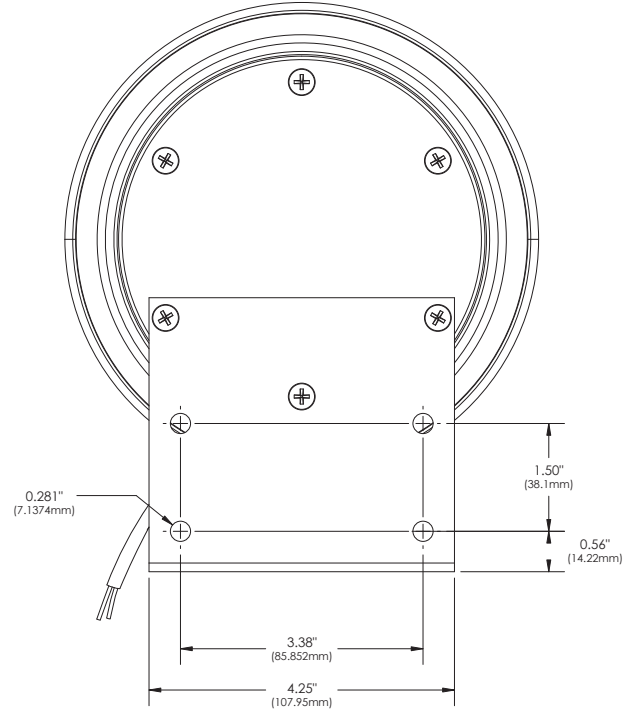
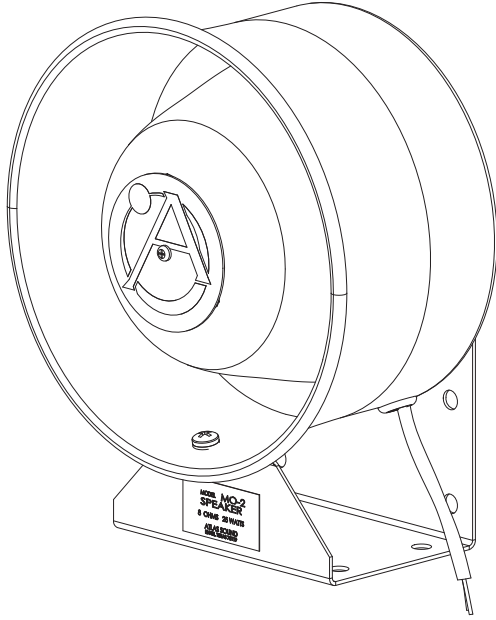


Impedance



©2021 Atlas Sound L.P. The Atlas "Circle-A", Soundolier, and Atlas Sound are trademarks of Atlas Sound L.P. IED is a Registered Trademark of Innovative Electronic Designs LLC. All rights reserved. All other Trademarks are property of their respective owners. No endorsement is implied. Due to continual product development, specifications are subject to change without notice. ATSO02882 RevF 1/21

Dimensional Drawings



©2021 Atlas Sound L.P. The Atlas "Circle-A", Soundolier, and Atlas Sound are trademarks of Atlas Sound L.P. IED is a Registered Trademark of Innovative Electronic Designs LLC. All rights reserved. All other Trademarks are property of their respective owners. No endorsement is implied. Due to continual product development, specifications are subject to change without notice. ATSO02882 RevF 1/21

Architect and Engineer Specifications

Concealed-mounting loudspeaker shall be environment-resistant AtlasIED Model MO-2 with power capability of 25 Watts. Frequency response shall be 550Hz –13.5kHz (± 5 dB). Sound pressure level shall be 115dB (25W/1M), 108dB (1W/1M). Dispersion angle shall be 85°. Voice coil impedance shall be 16 Ω . Loudspeaker shall provide superior sensitivity when used as a microphone for two-way intercommunication. Unit shall have a platform base constructed of heavy-gauge, die cast aluminum. Construction shall be die cast aluminum with all exposed parts finished in grey baked epoxy.