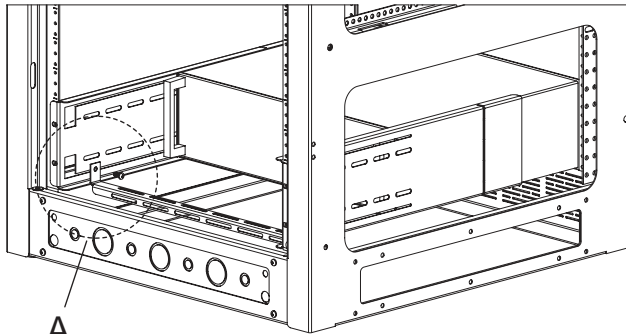


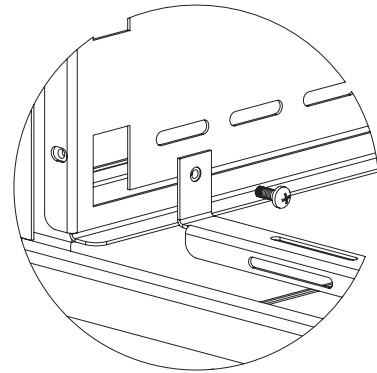
Step 1:
Install the amplifier into the cabinet and then snap the side rails over the back of the amplifier.

Note: If the amplifier is being installed in an 18½" Deep Cabinet. The side rails will have to be shortened by removing the perforated sections.

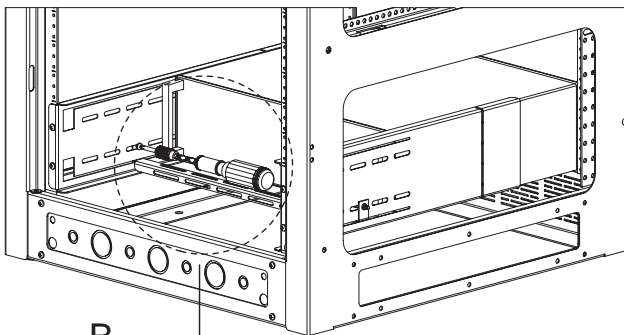


A

Step 2:
Slide the lacing bar through the slots at the back of the side rail.

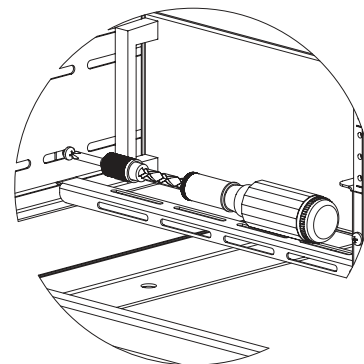


DETAIL A
SCALE 1:3



B

Step 3:
Position the lacing bar, use the ¼" screws for the lacing bar and the ½" screws for the rear rails.



DETAIL B
SCALE 1:5

Specifications are subject to change without notice



AtlasSound.com