



95 Series

Round Recessed Enclosures For 8" and 12" Loudspeakers



95-8



95-8-10

Features

- Available With or Without Torsion Spring Receptacles
- Choice of Standard or Extra Depth Models
- Satisfies a Wide Range of Installation and Application Requirements
- UL Listed, Plenum Rated Versions also Available

Applications

Choose from the industry's most popular enclosure to fulfill a wide variety of installation and application requirements. Models are offered to accommodate 8" or 12" loudspeakers and are packaged with or without torsion spring receptacles. Additionally, plenum-rated extra depth models are available for special applications. All models are welded CRS construction with a galvanized finish, undercoating, and patch-jute lining to eliminate mechanical and acoustical resonances.

General Description

(T)95-8 and 95-12. These original 95 Series models are furnished with: four compound combination knockouts ($\frac{1}{2}$ "- $\frac{3}{4}$ ", 13-19mm) spaced 90° apart, one flexible perforated strap to facilitate mounting in any type of ceiling construction, and four 8-32 J-Clips for installing screw-mount baffles. Models 95-8 and 95-12 are suited for use with 8" and 12" loudspeakers, respectively. Version with "T" prefix is equipped with torsion spring receptacles for mounting torsion spring grilles. ("T" version is also shipped with J-Clips to accommodate standard screw-mount baffles.)

(T)95-8-7 and (T)95-8-10. These extra depth models provide improved low-frequency performance of 8" commercial and professional loudspeakers. Increased volume extends bass response by allowing additional acoustic loading for cost-effective application wherever enhanced audio quality is desired. Enclosures have the same features as the standard 95 and T95 Series with the addition of a 1½" (38mm) thick fiberglass filling having a density of (1½ lbs. per ft.³) on Models (T)95-8-7 and (T)95-8-10 to prevent metallic resonance. ("T" prefix designates models equipped with torsion spring receptacles for mounting torsion spring grilles.)

Architect And Engineer Specifications

The metal protective enclosure shall be Atlas Sound Model 95- ____, Model T95- ____, or approved equal. It shall have four 8-32 J-Clips installed on the mounting flange and be equipped (with, without) conduit knockouts; (with, without) torsion spring receptacles. It shall be of welded CRS construction, have a galvanized finish, and be patch-jute lined to eliminate mechanical and acoustical resonances. Damping material or high-density fiberglass fill [available on Models (T)95-8-7 and (T)95-8-10 only] shall be applied to absorb internal sound reflection. Enclosure shall mount Atlas Sound baffle Model ____ or approved equal.

©2012 Atlas Sound L.P. All rights reserved. Atlas Sound and Strategy Series are trademarks of Atlas Sound L.P. All other trademarks are the property of their respective owners. AT5001848 RevC 7/12

©2012 Atlas Sound L.P. All rights reserved. Atlas Sound and Strategy Series are trademarks of Atlas Sound L.P. All other trademarks are the property of their respective owners. AT5001848 RevC 7/12

Specifications

(T)95-8

- A 10 $\frac{1}{8}$ " (257mm)
- B 11 $\frac{1}{4}$ " (286mm)
- C 11 $\frac{3}{4}$ " (298mm)
- D 4 $\frac{1}{4}$ " (108mm)
- Volume .198 ft.³
- Weight 2.5 lb (1.1 kg)

(T)95-8-7

- A 10 $\frac{1}{8}$ " (257mm)
- B 11 $\frac{1}{4}$ " (286mm)
- C 11 $\frac{3}{4}$ " (298mm)
- D 7" (178mm)
- Volume .306 ft.³
- Weight 3.5 lb (1.5 kg)

(T)95-8-10

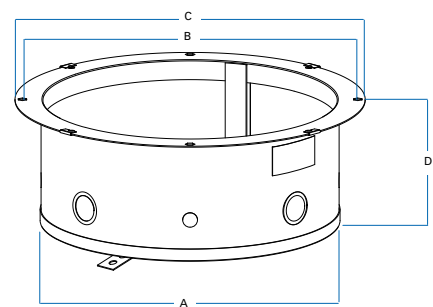
- A 10 $\frac{1}{8}$ " (257mm)
- B 11 $\frac{1}{4}$ " (286mm)
- C 11 $\frac{3}{4}$ " (298mm)
- D 10" (254mm)
- Volume .438 ft.³
- Weight 4.5 lb (2 kg)

95-12

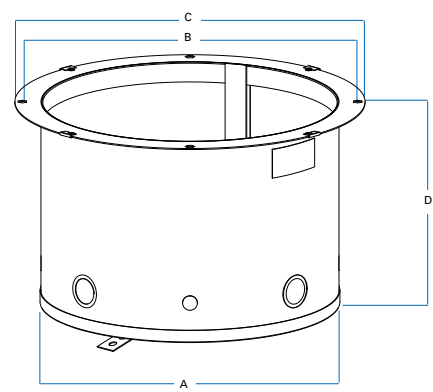
- A 14 $\frac{7}{16}$ " (367mm)
- B 14 $\frac{3}{16}$ " (360mm)
- C 16 $\frac{9}{16}$ " (421mm)
- D 7" (178mm)
- Volume .665 ft.³
- Weight 6.0 lb (2.75 kg)

Baffle Mounting Guide for B Series	
Model	Mouting Baffles
(T)95-8	51-8, 60-8(W), 61-8W, 62-8, 63-8, 170-8A, G22-8, (T)M222W, P900, VP-60R
(T)95-8-7	51-8, 60-8(W), 61-8W, 62-8, 63-8, 170-8A, G22-8, (T)M222W, P900, VP-60R
(T)95-8-10	51-8, 60-8(W), 61-8W, 62-8, 63-8, 170-8A, G22-8, (T)M222W, P900, VP-60R
95-12	60-12(W), 61-12W

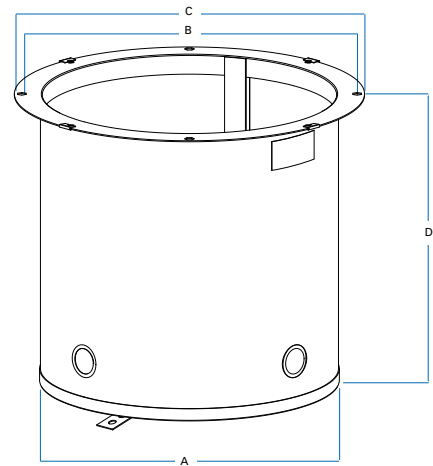
95-8



95-8-7



95-8-10



95-12

